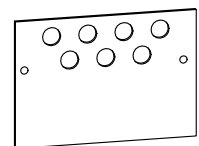
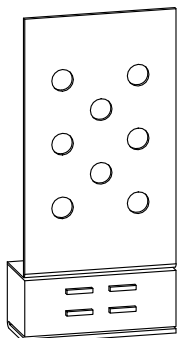
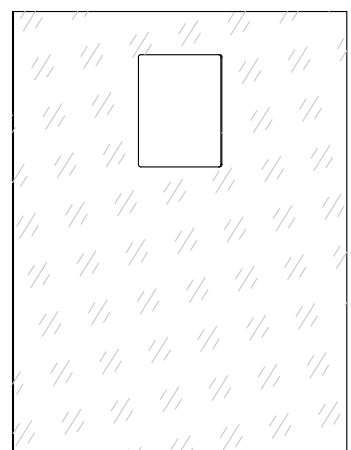
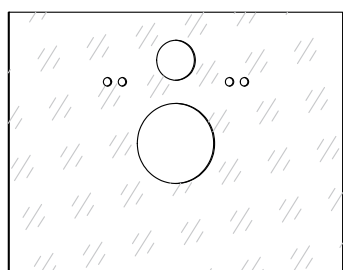
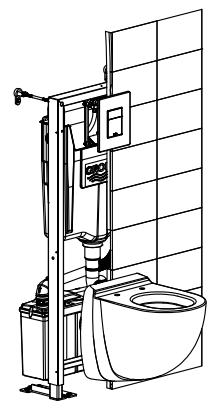
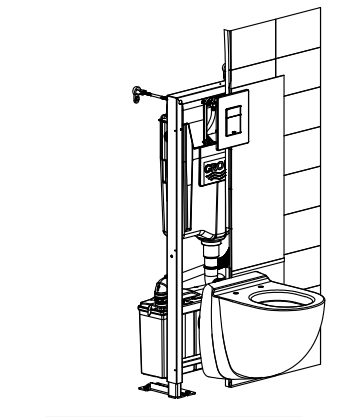
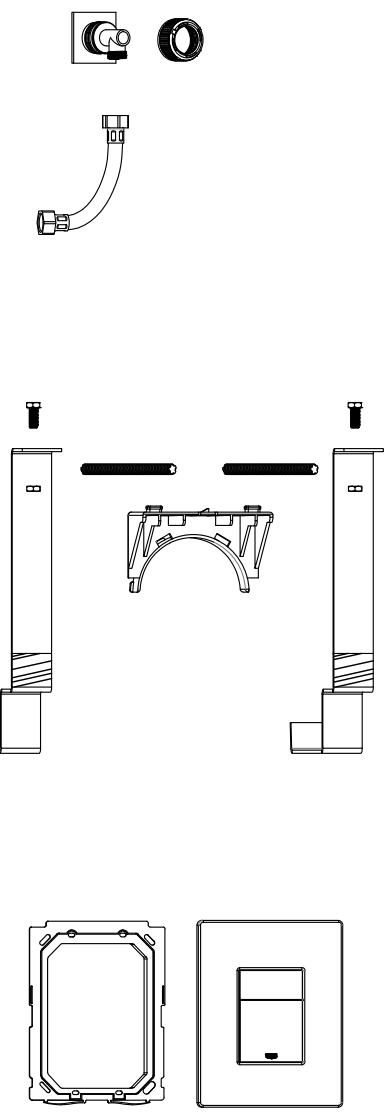
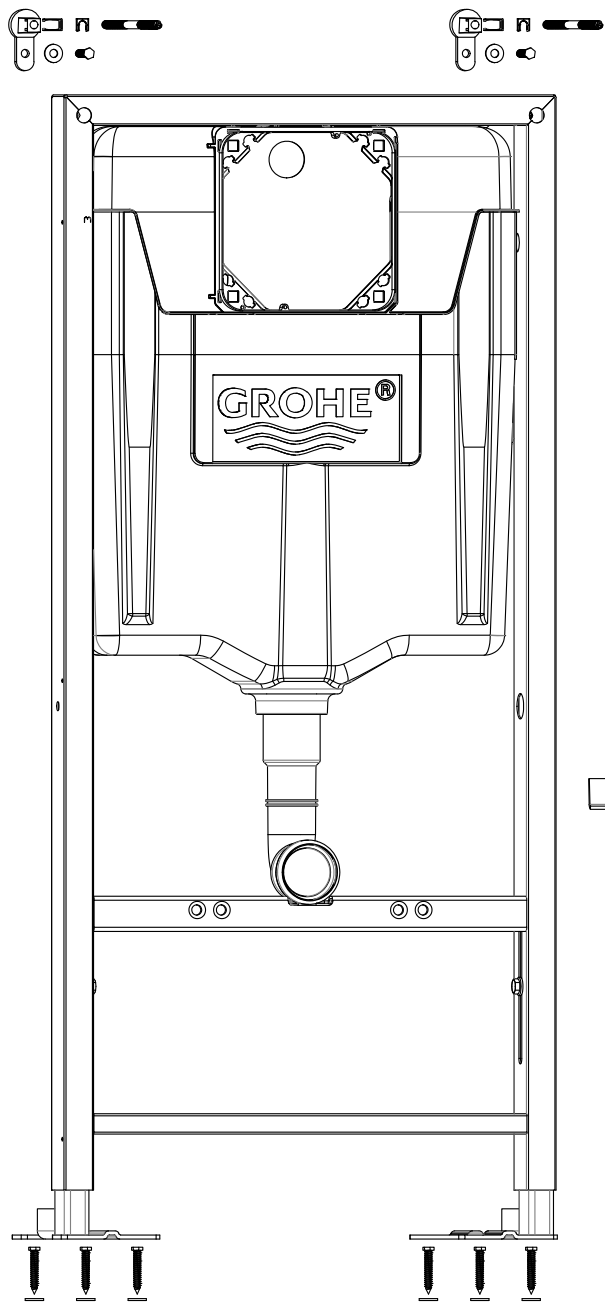
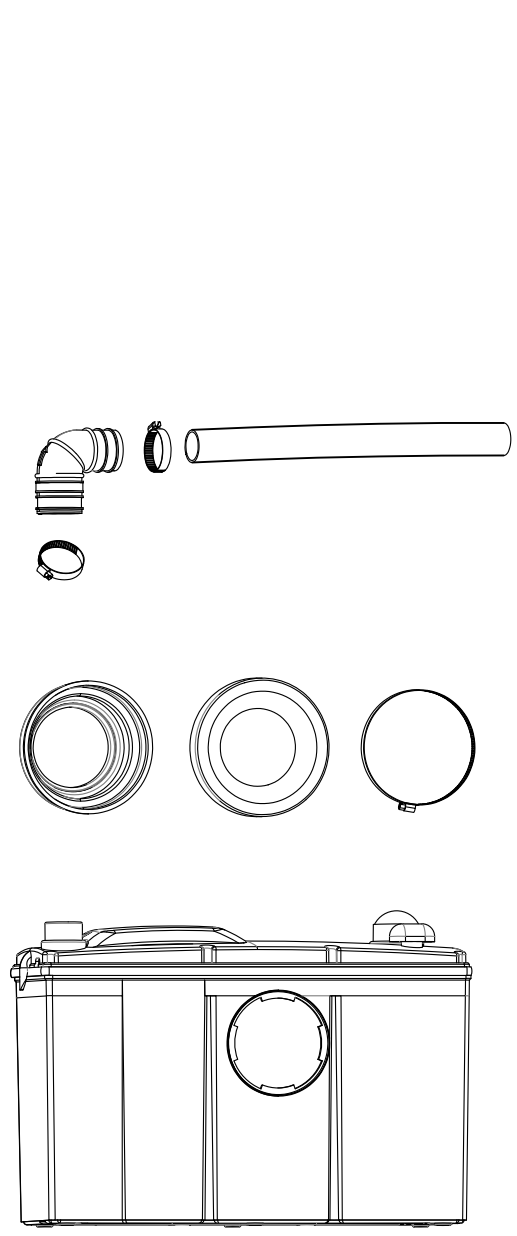
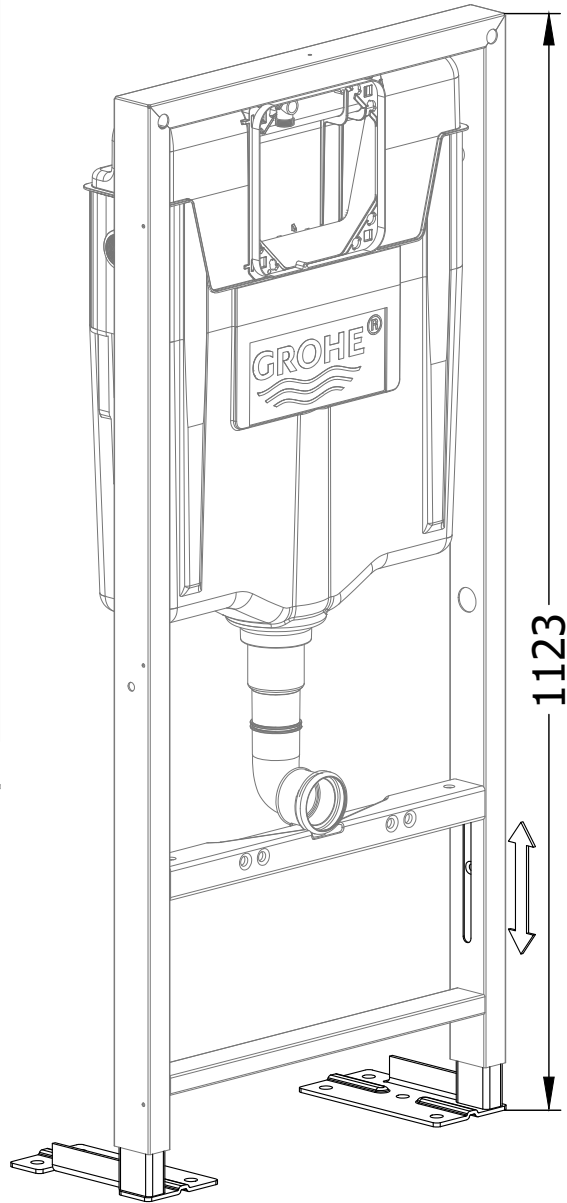
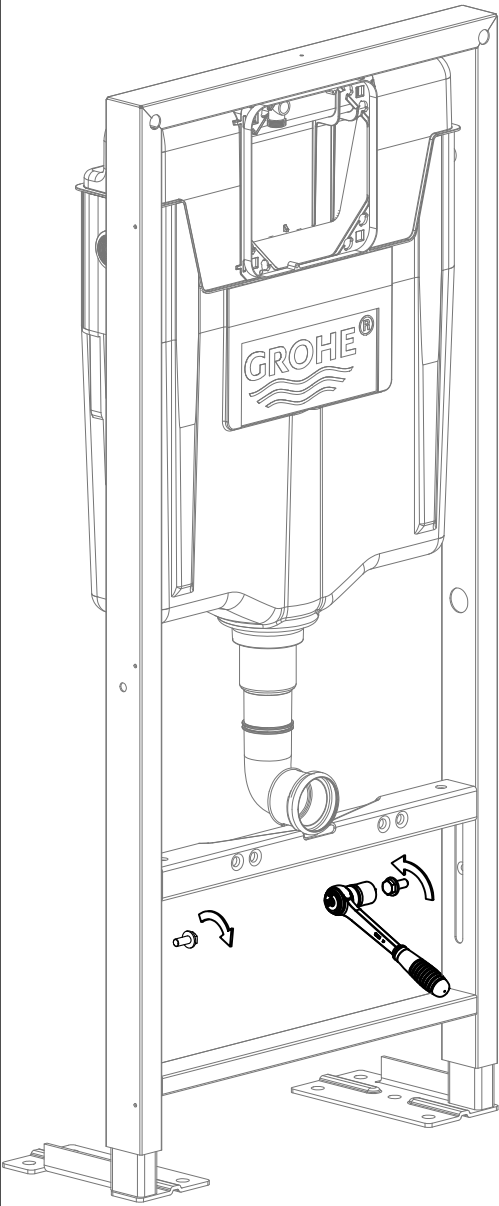
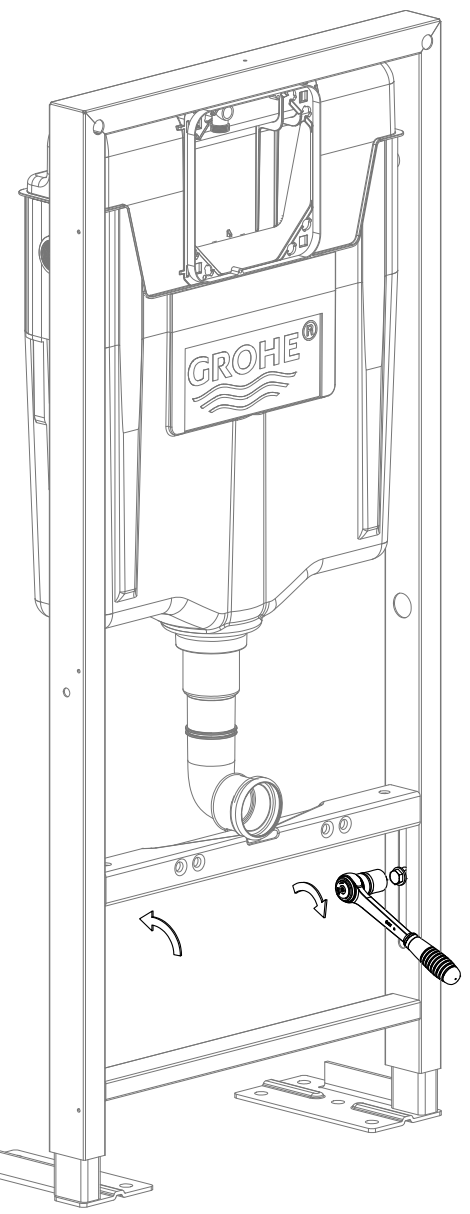


BEINHALTET / INGESLOTEN / INCLUS / INCLUDED

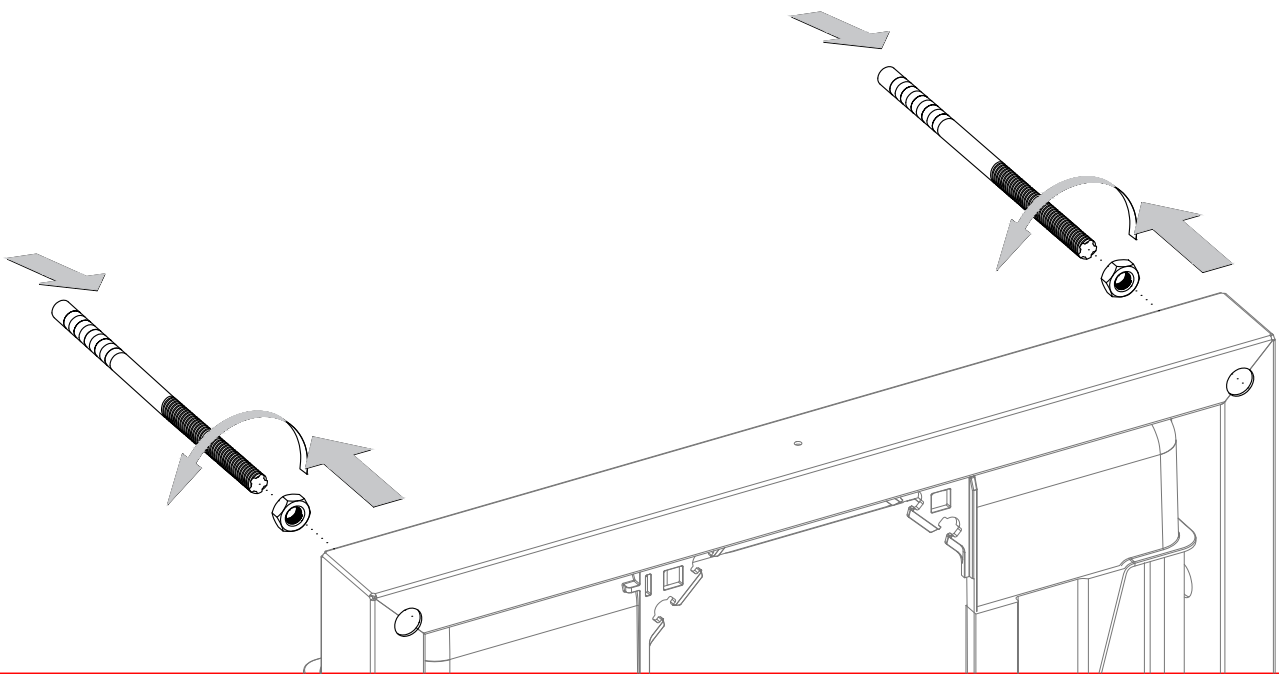




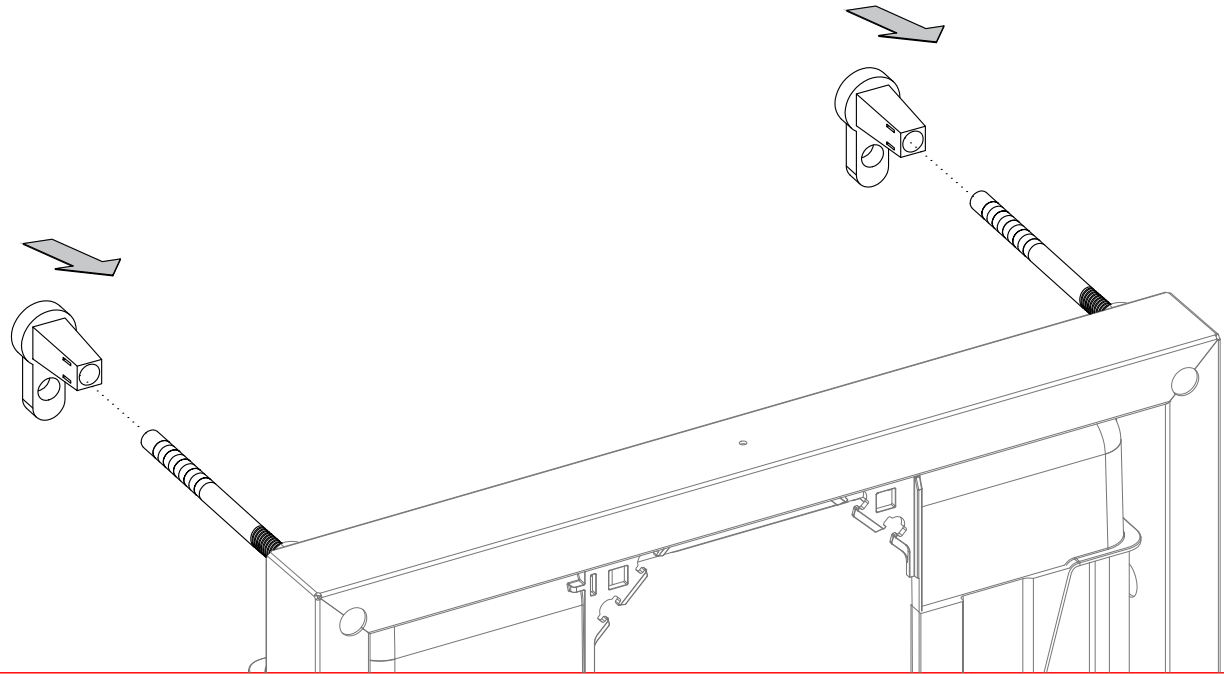
1123



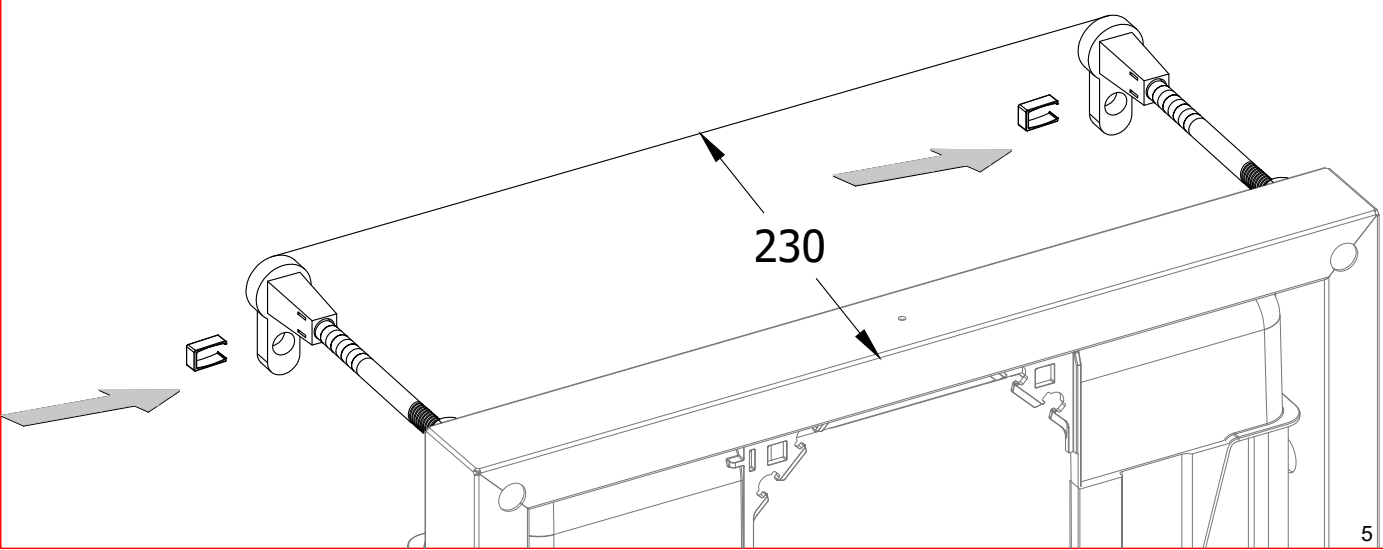
1

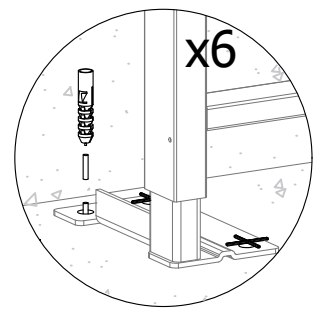
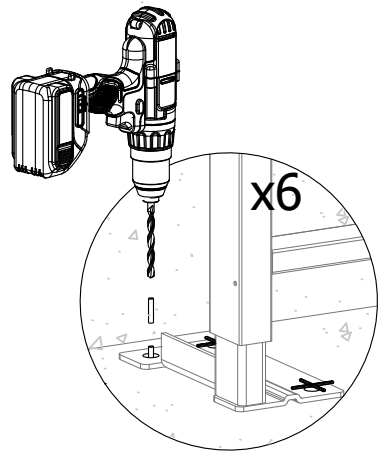
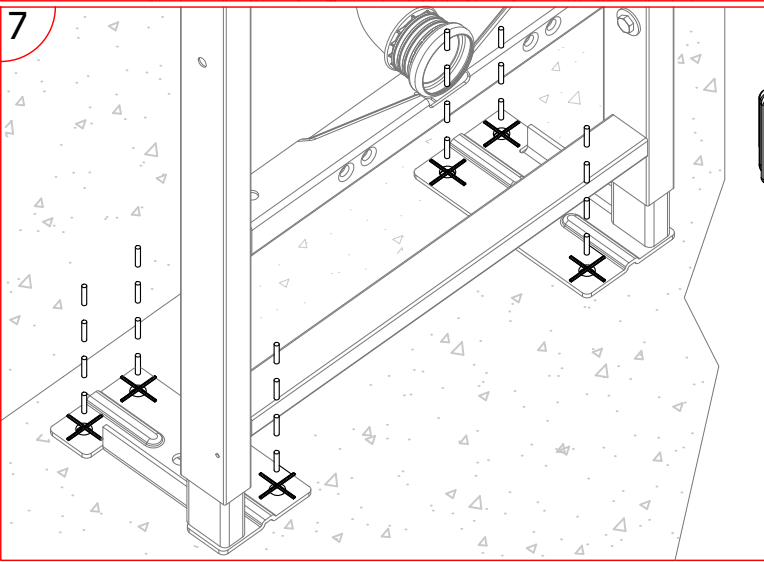
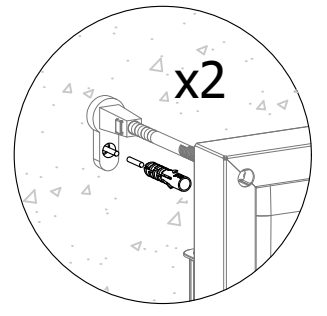
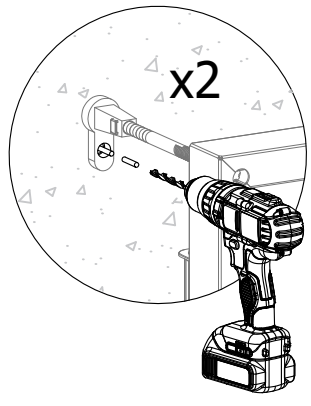
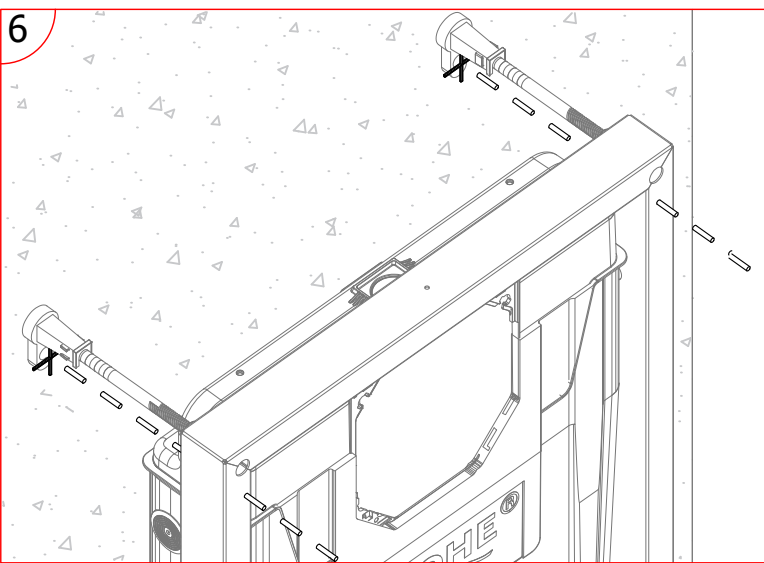
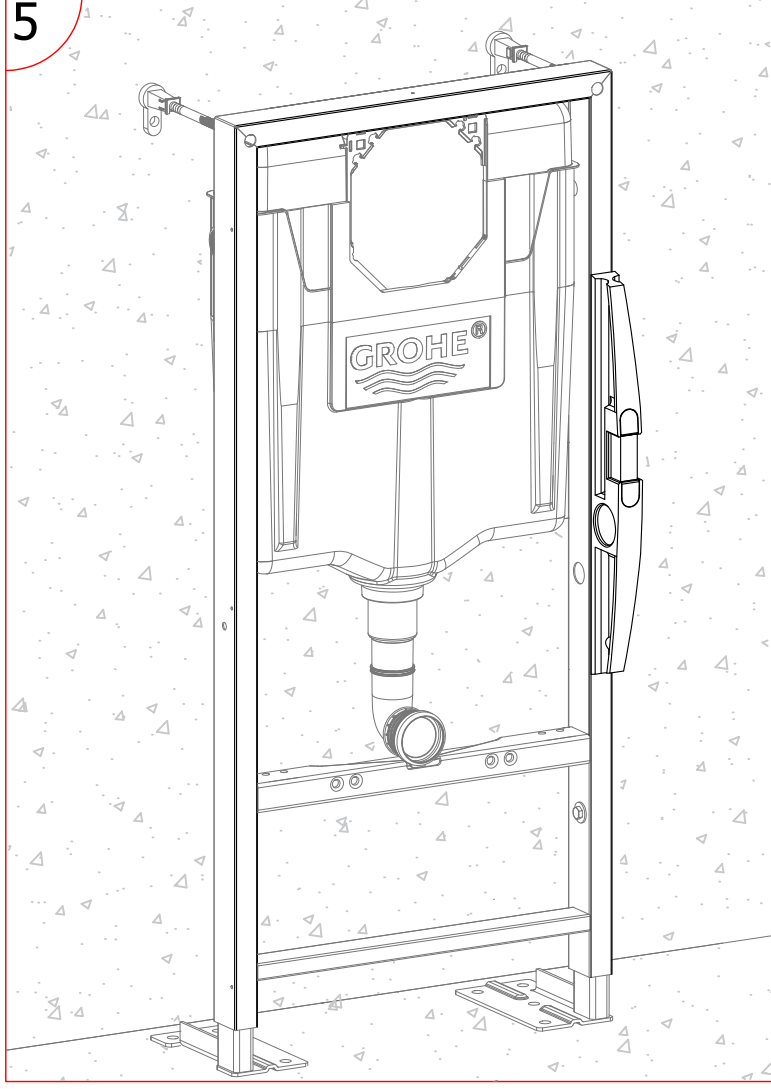
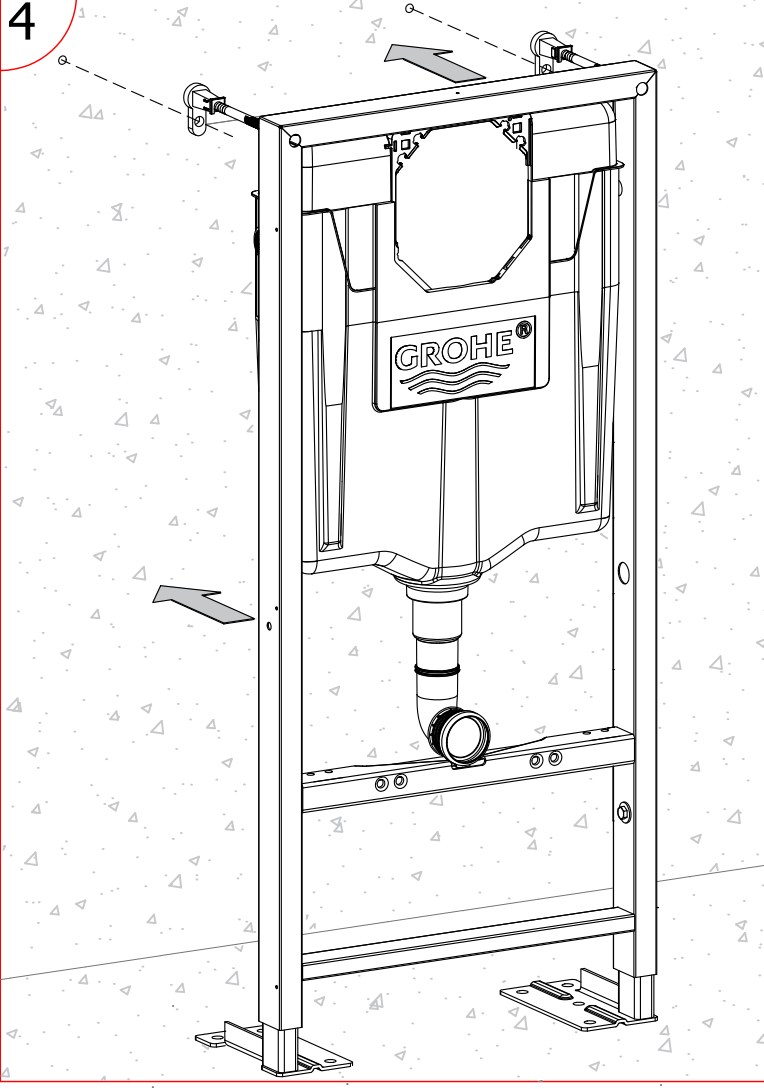


2

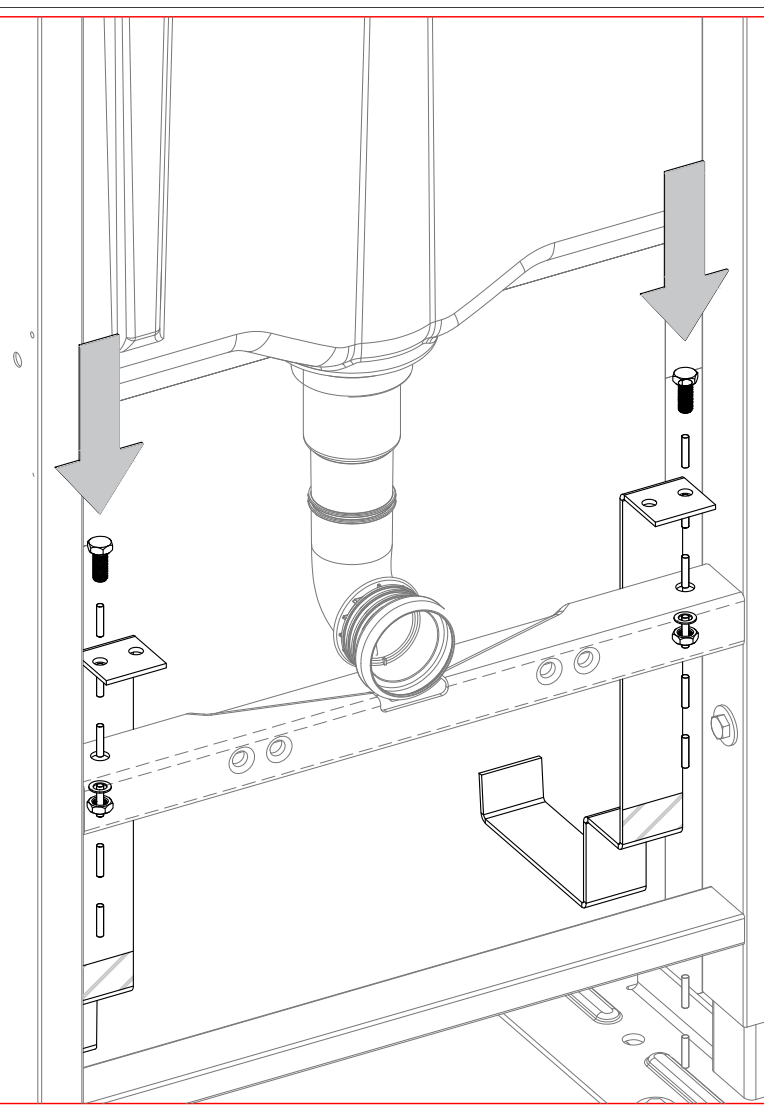
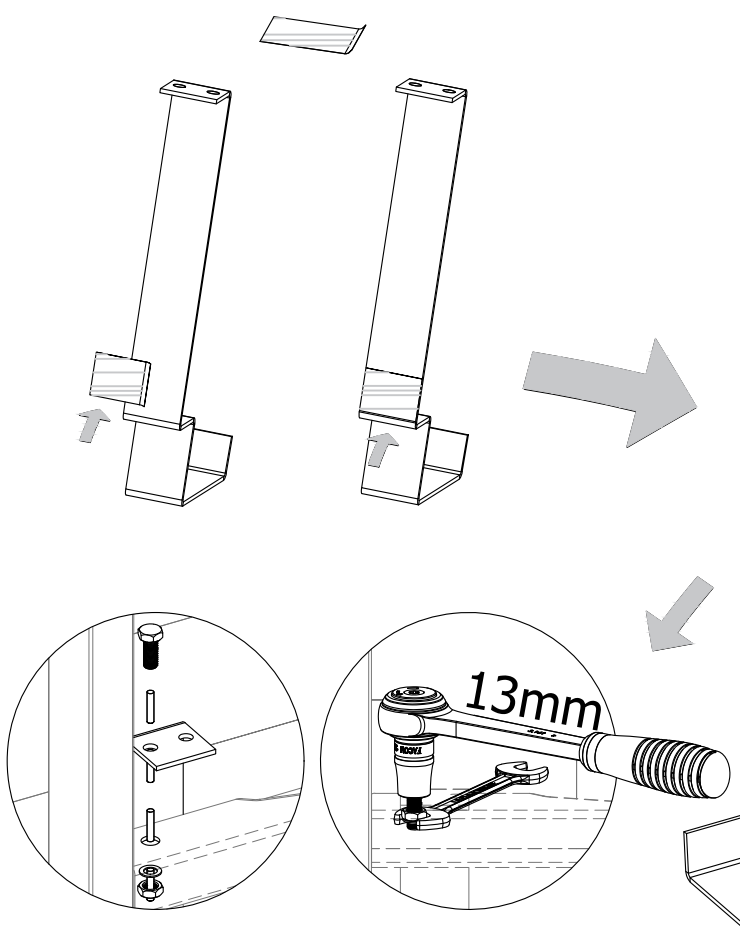


3

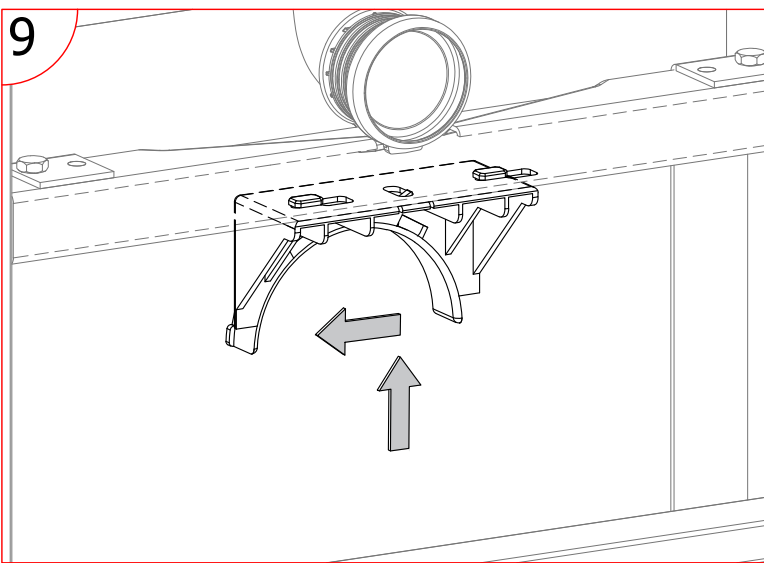




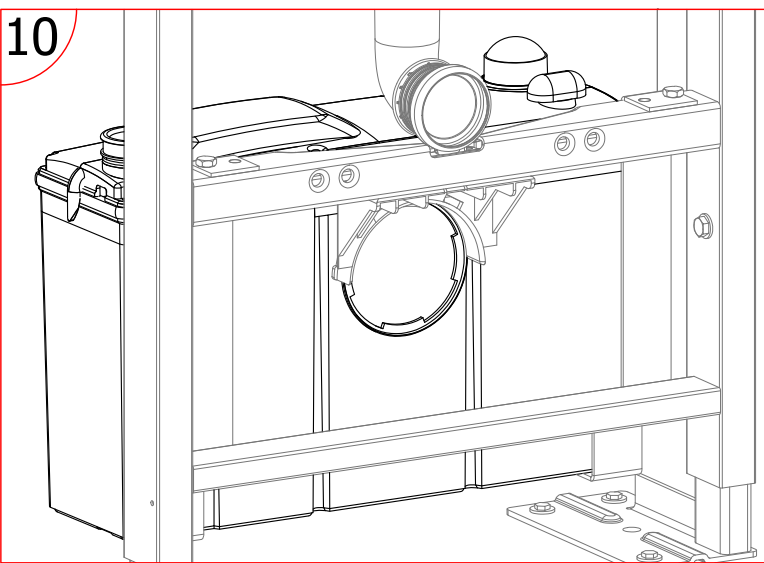
8



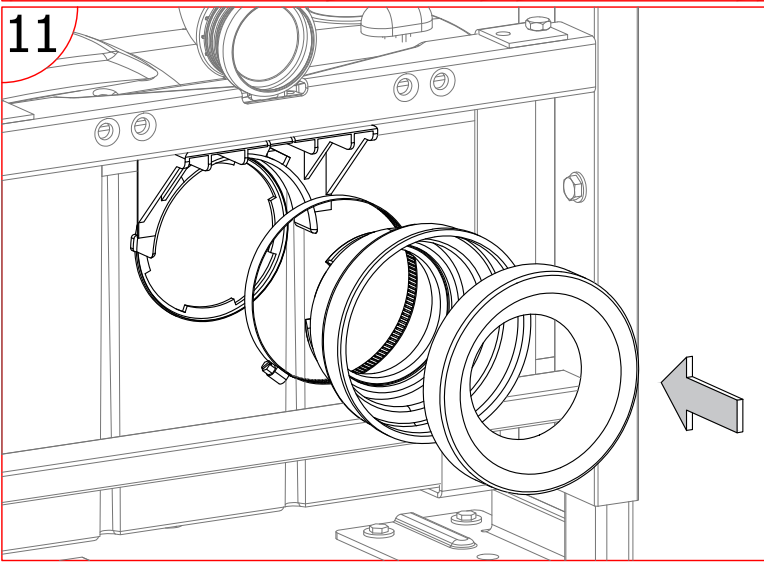
9



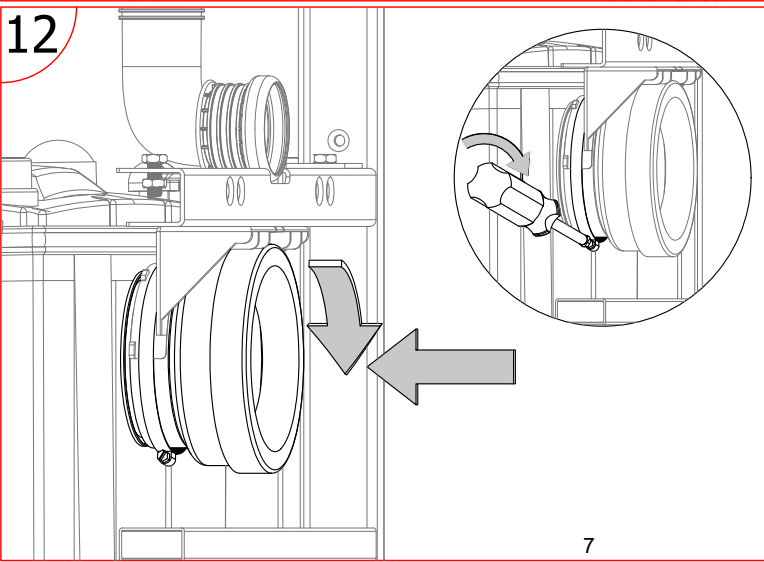
10

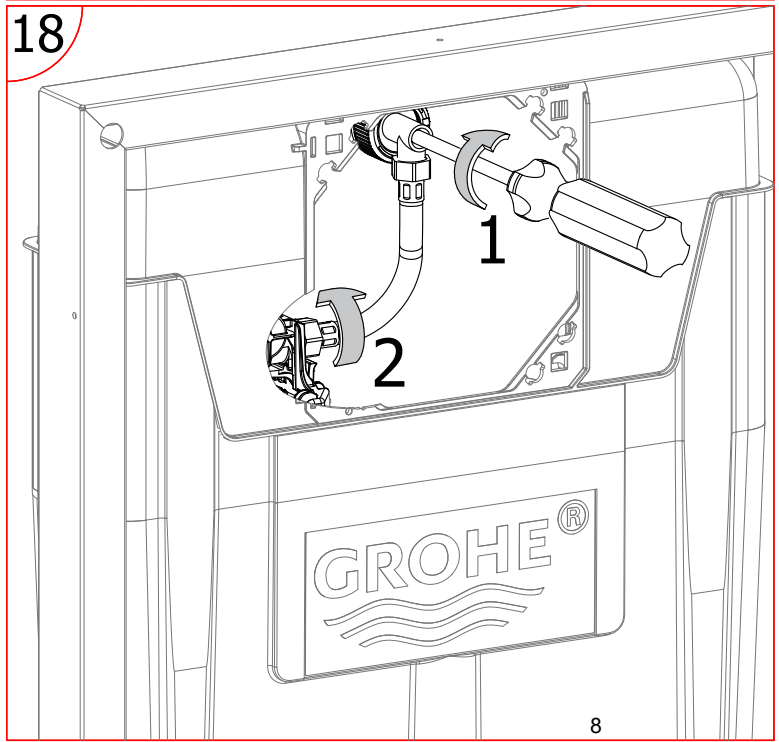
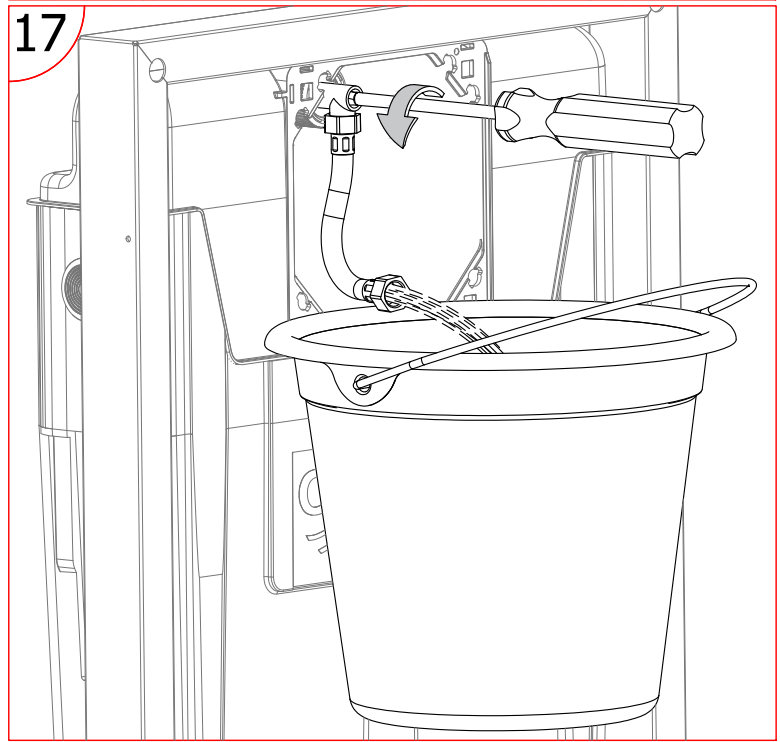
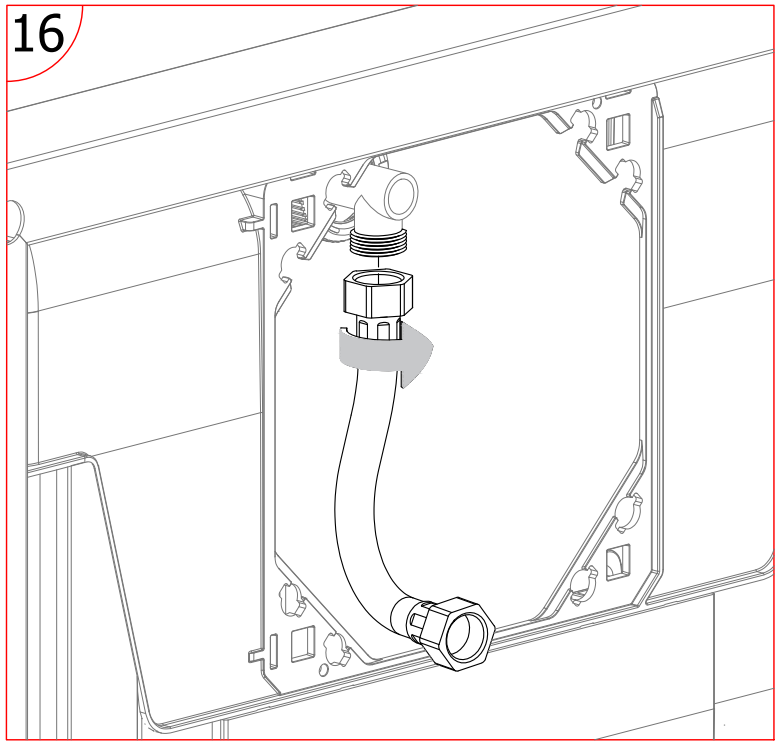
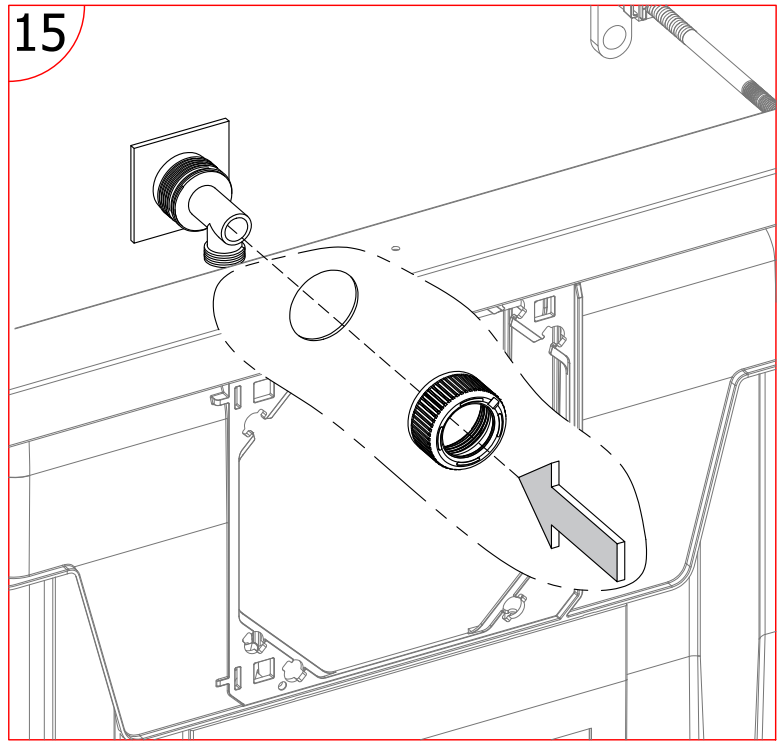
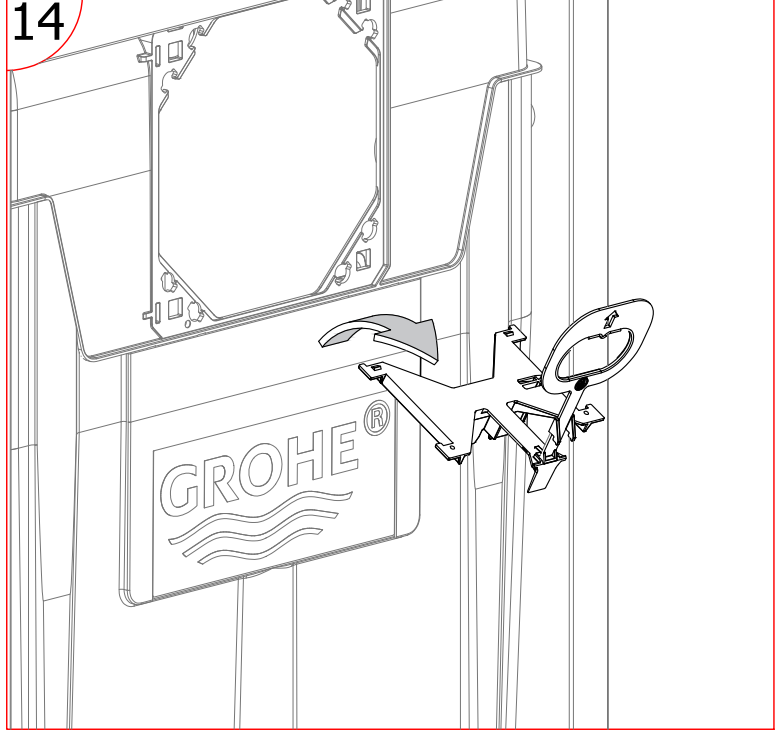
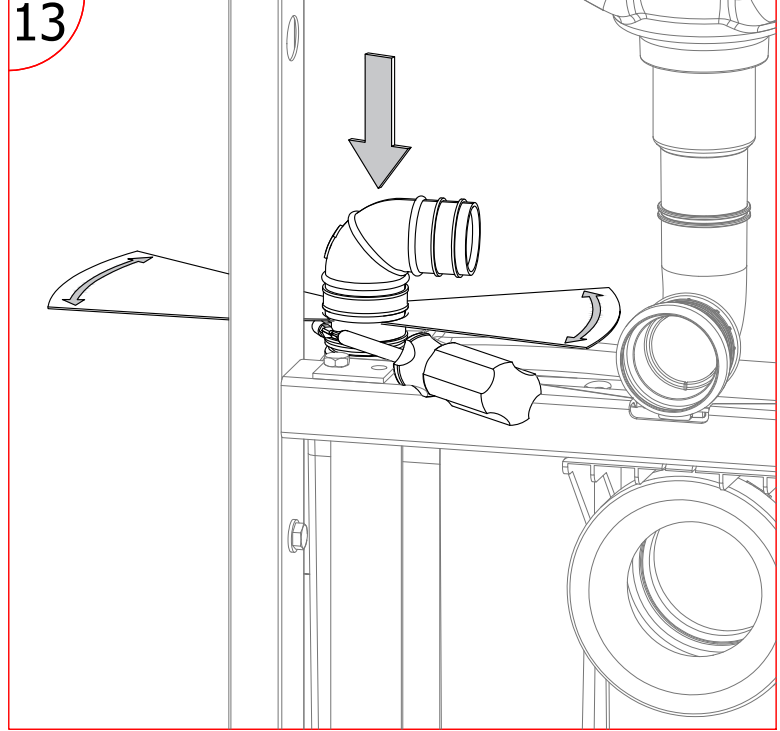


11

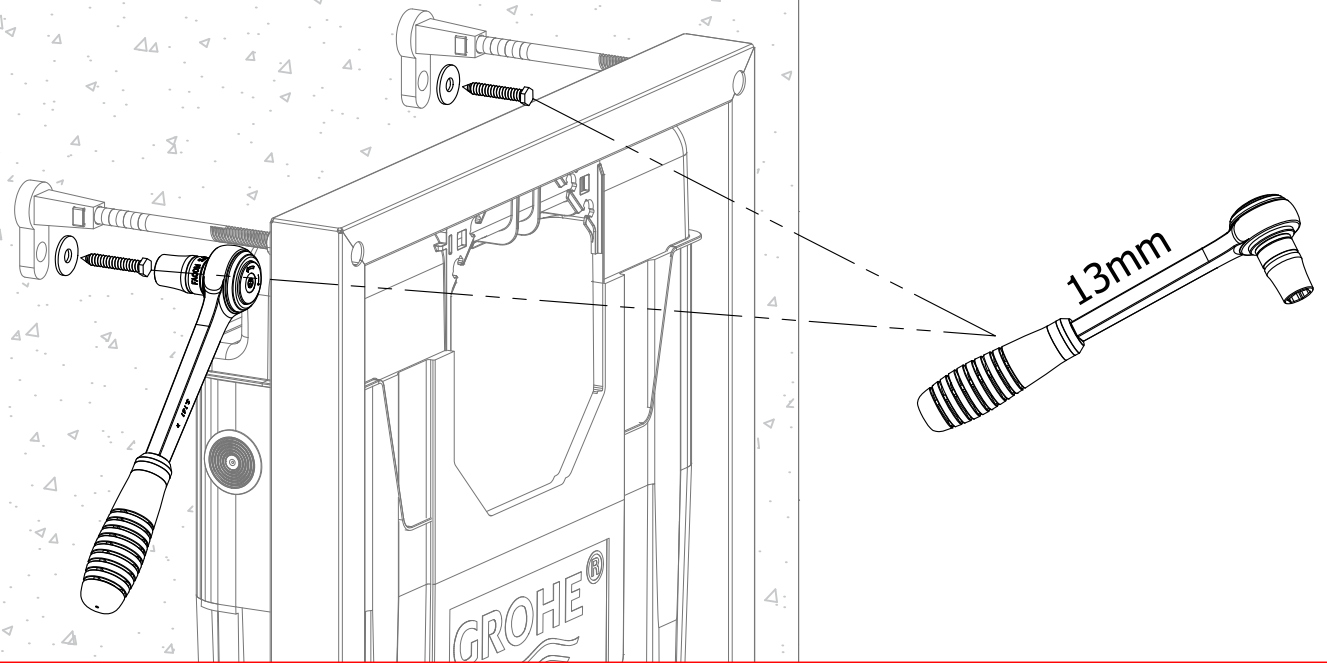


12

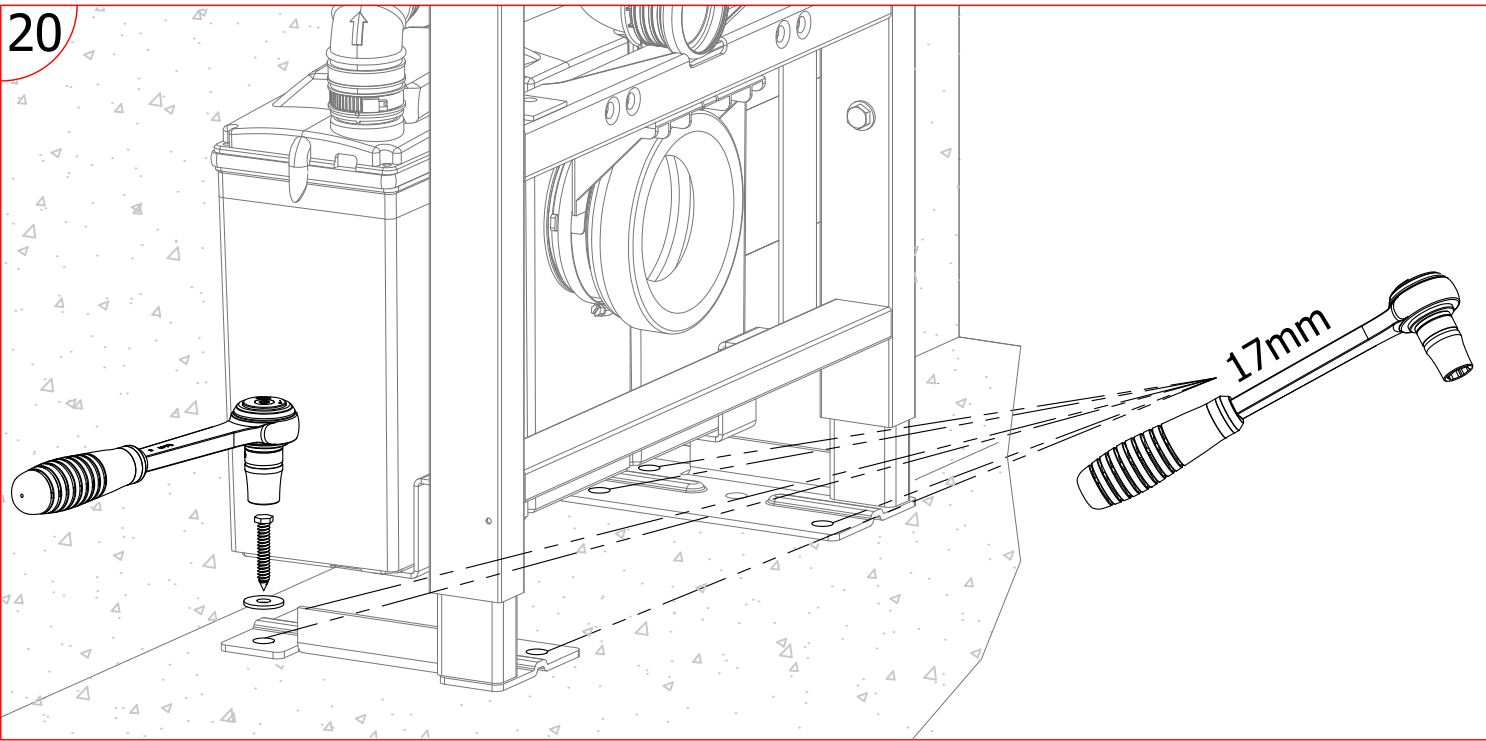




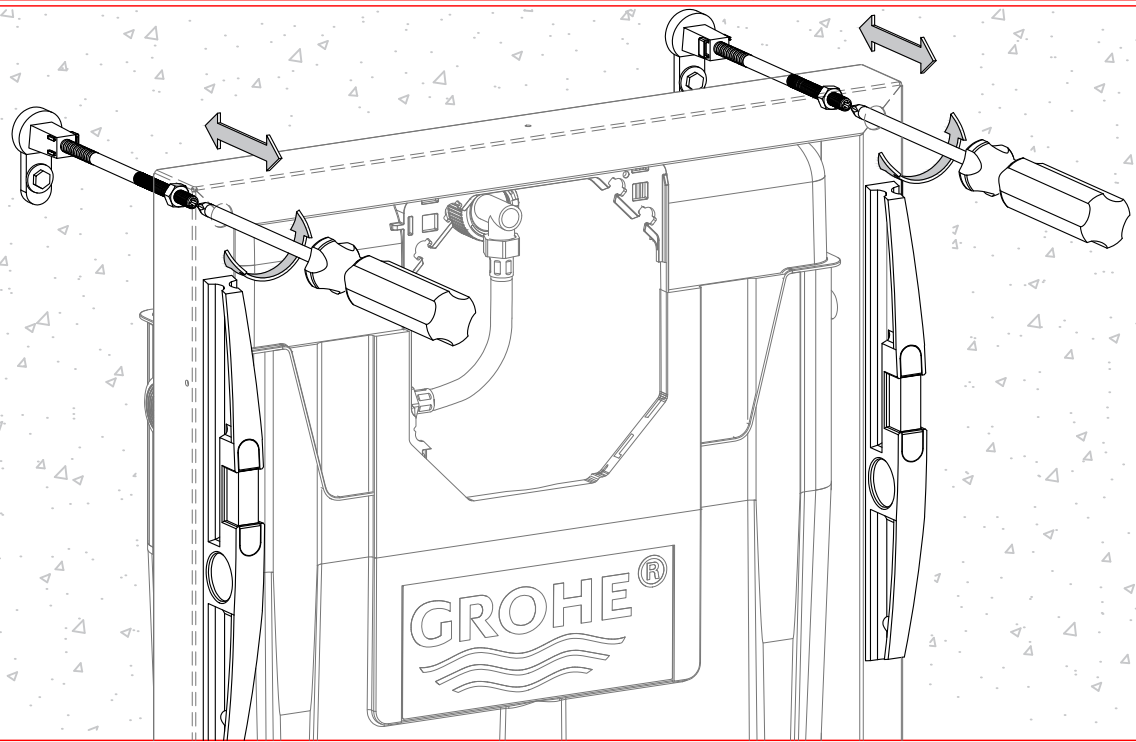
19



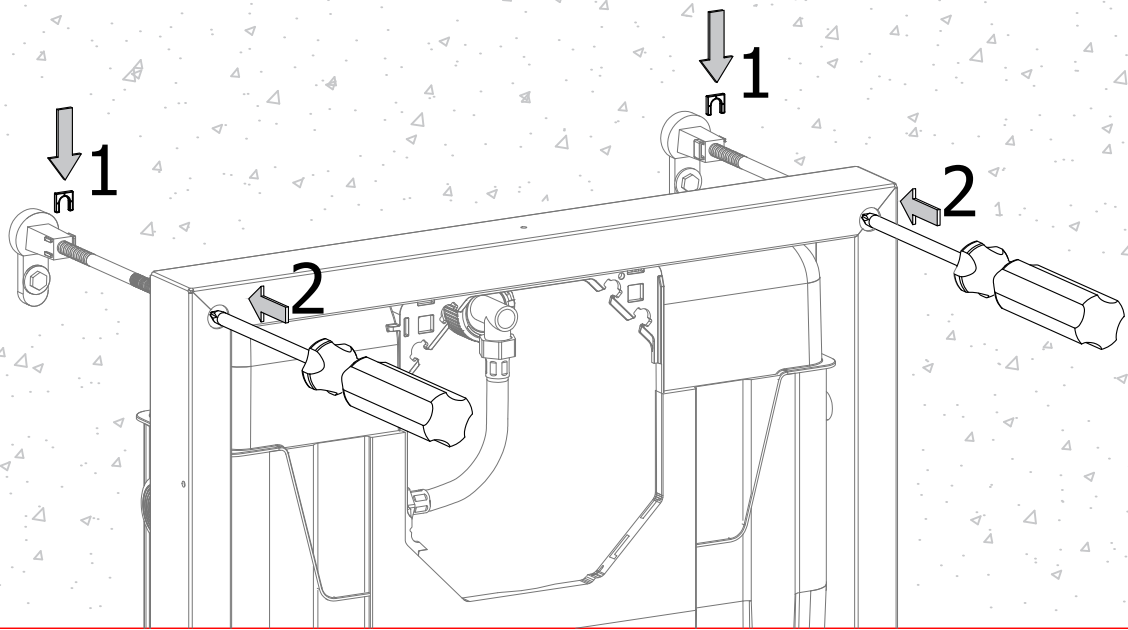
20



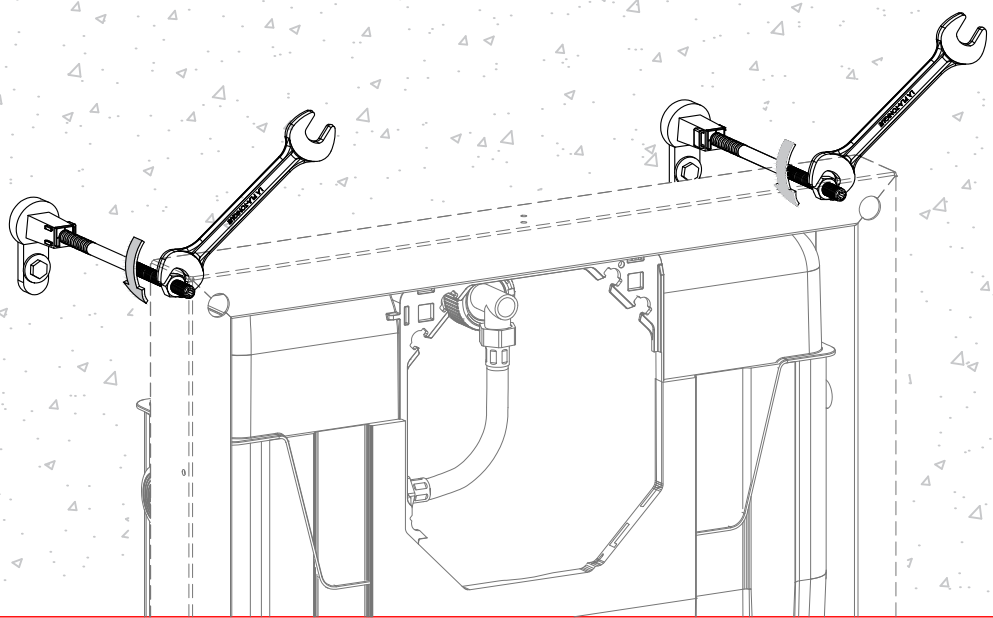
21



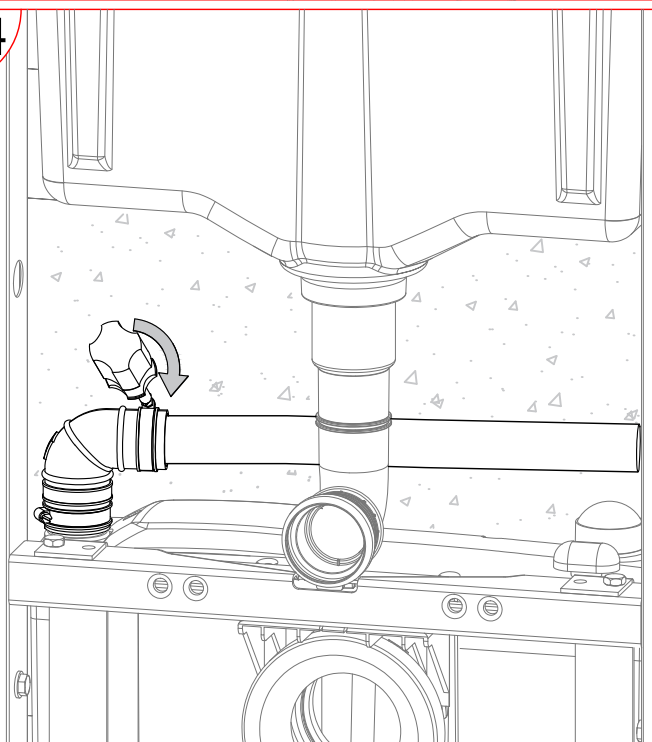
22



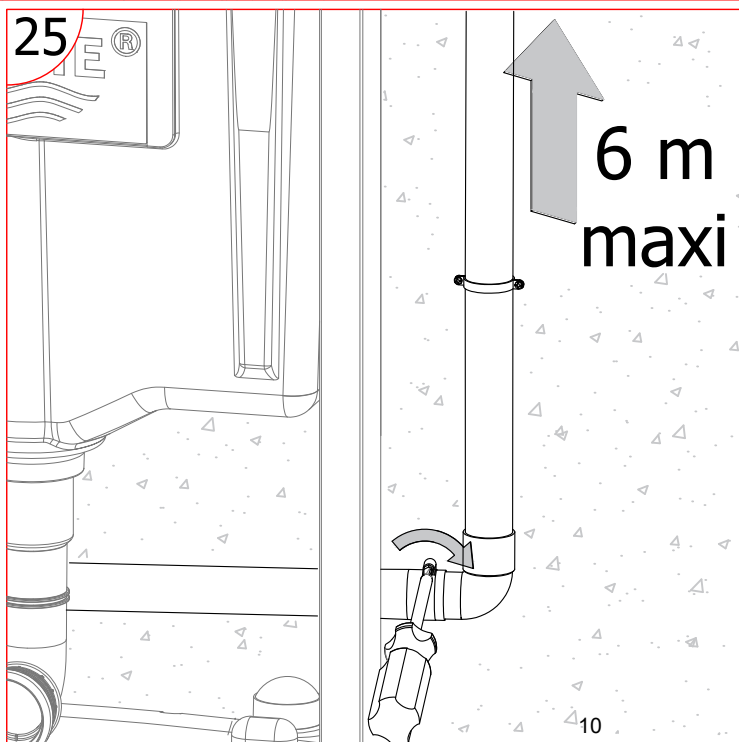
23



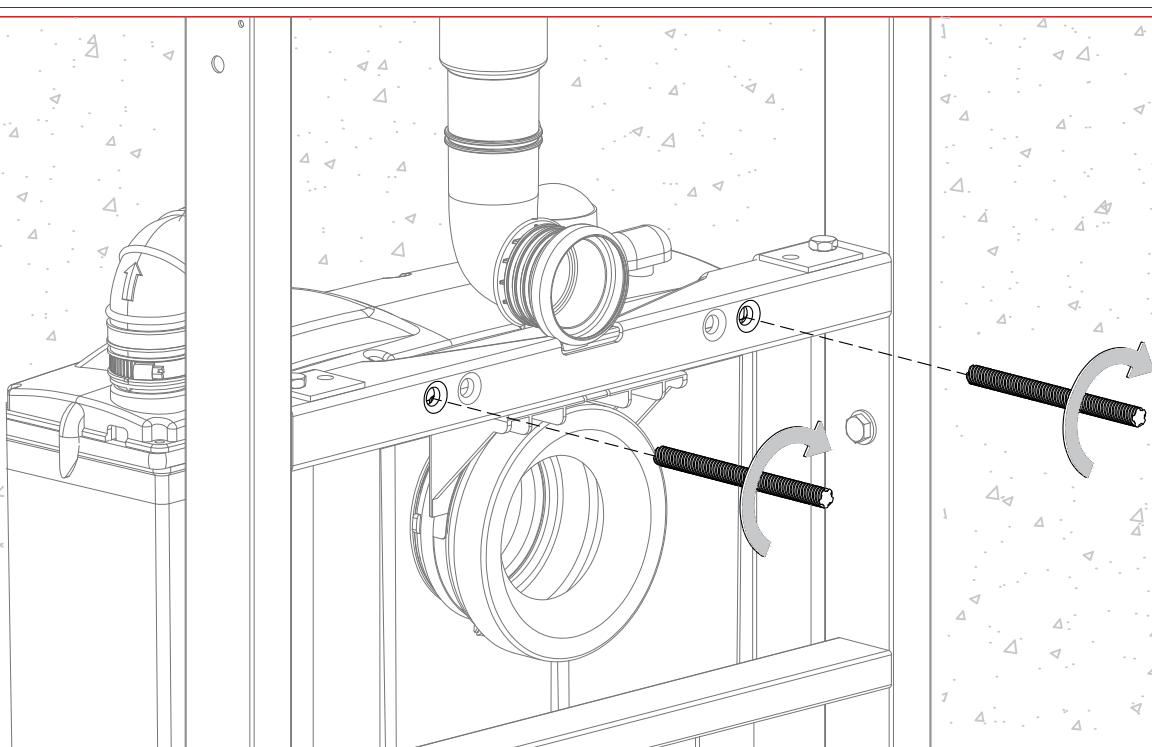
24



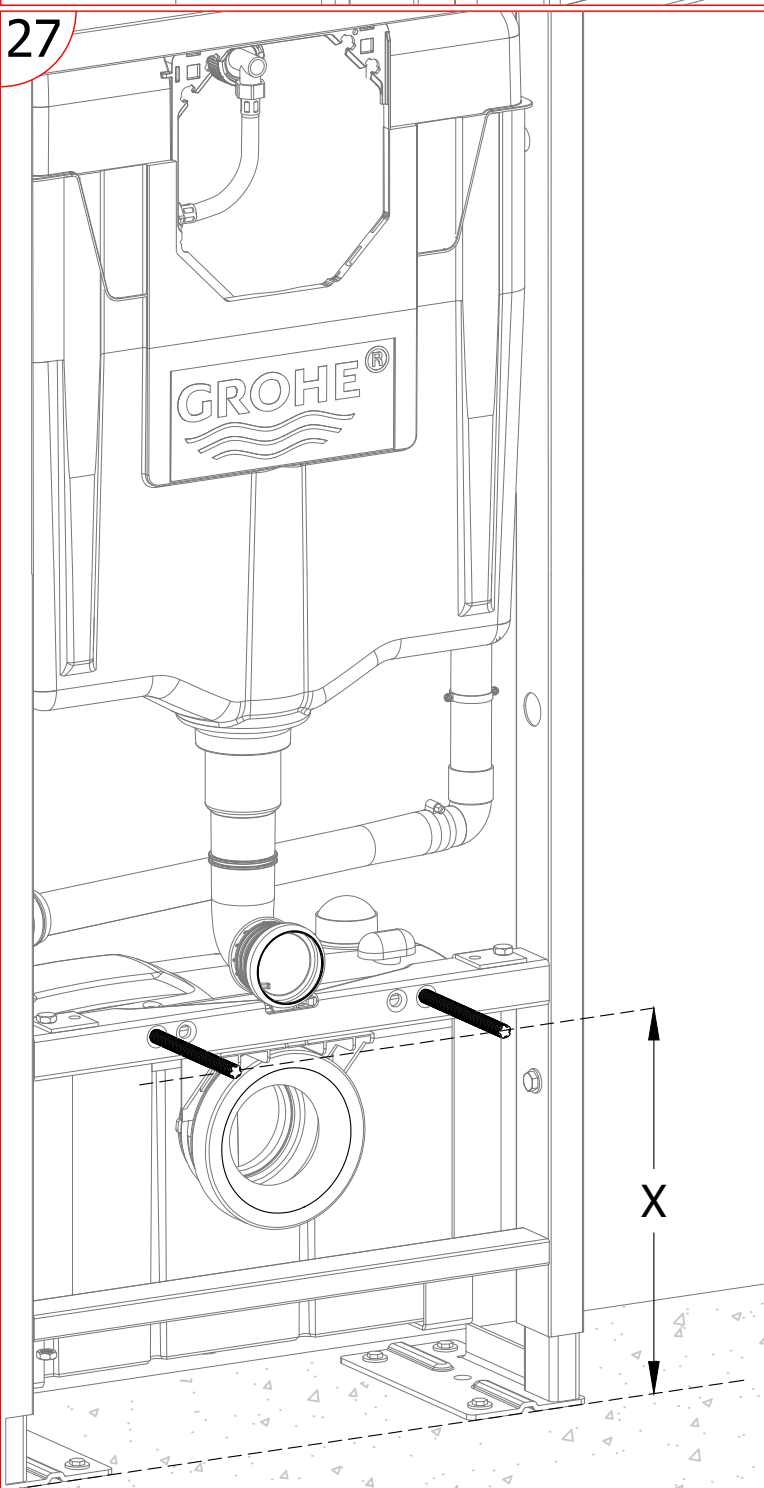
25



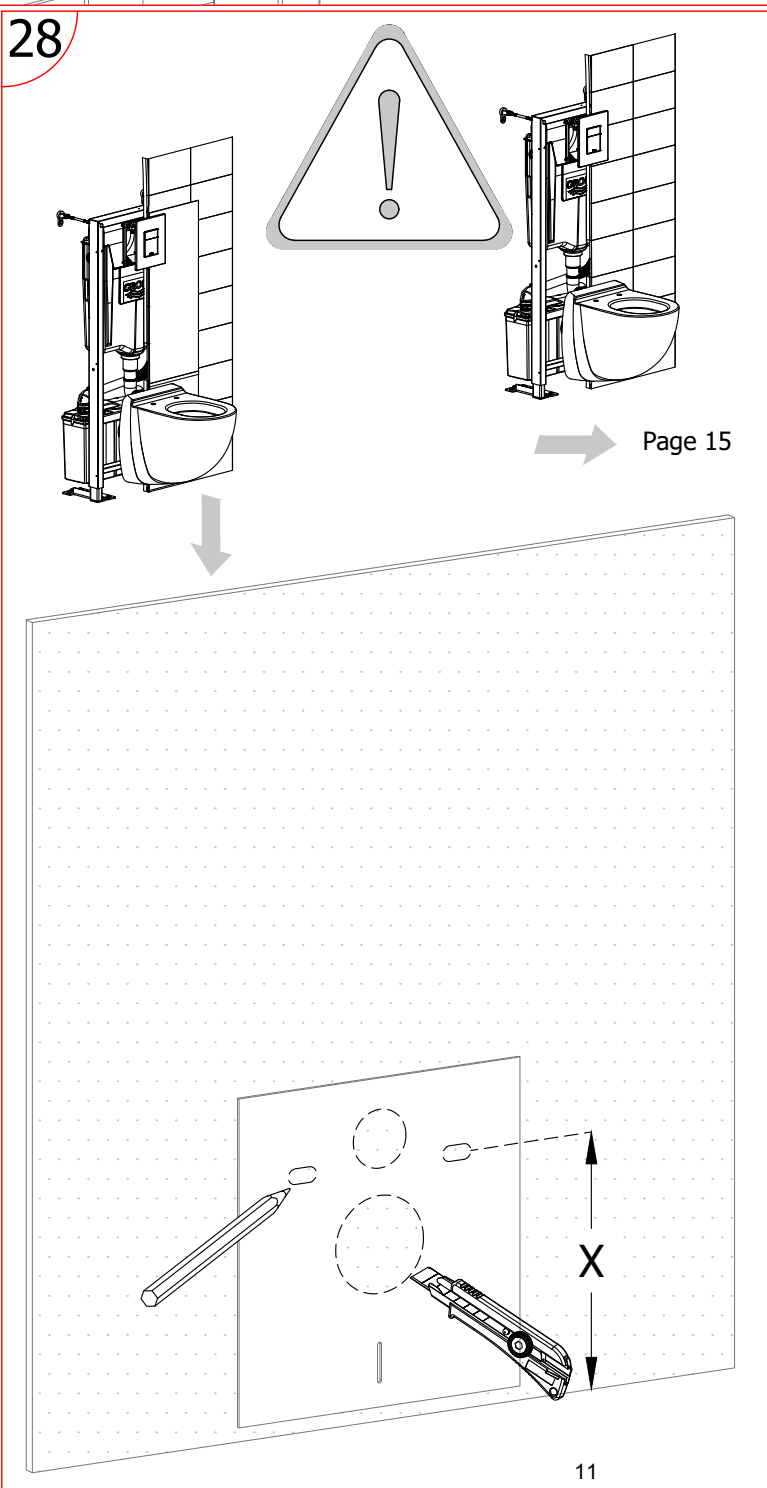
26



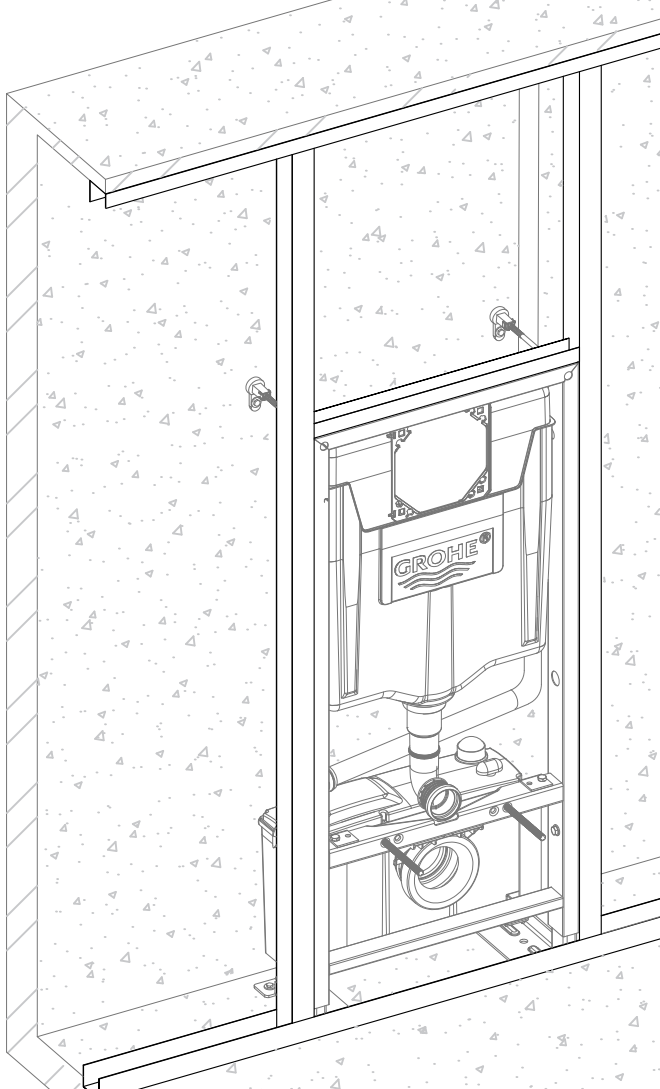
27



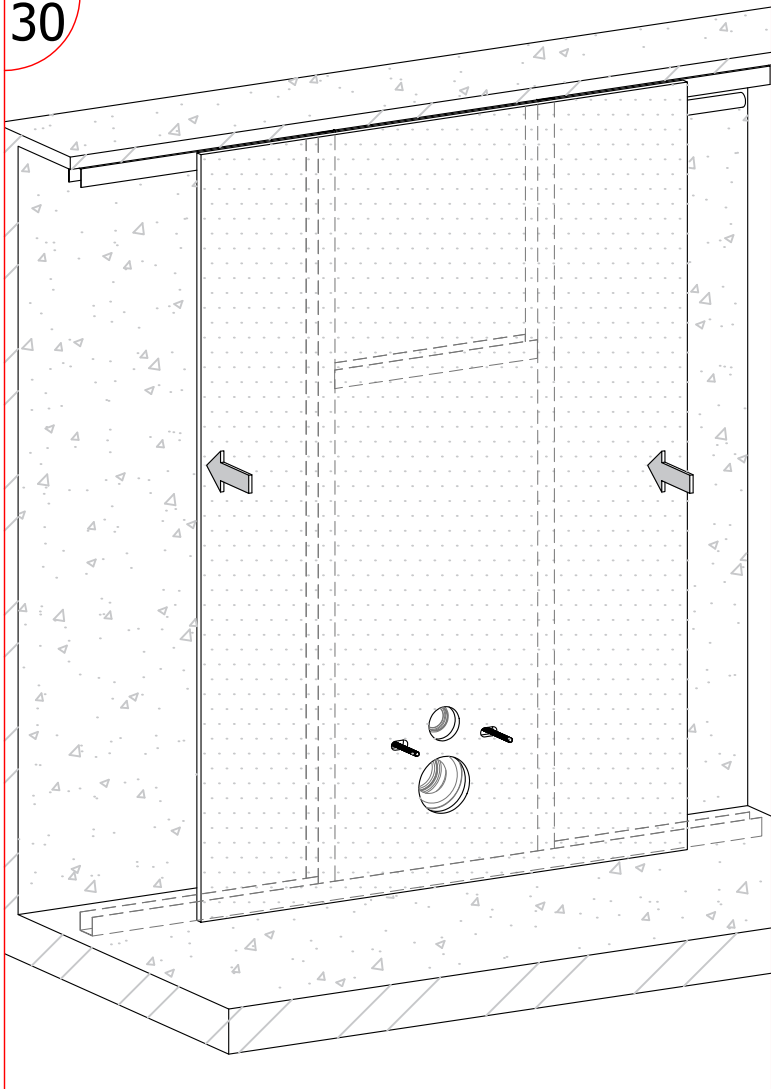
28



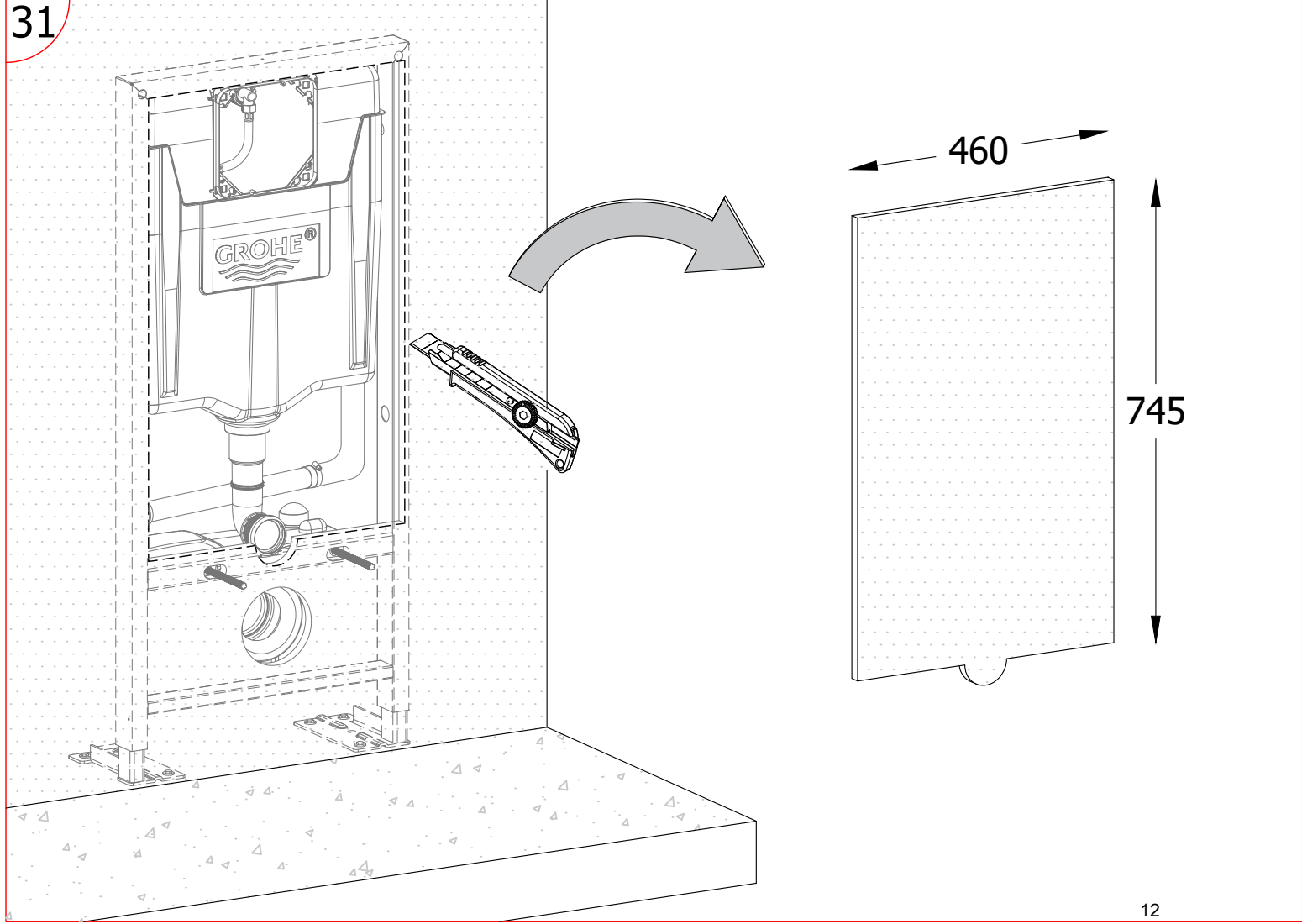
29



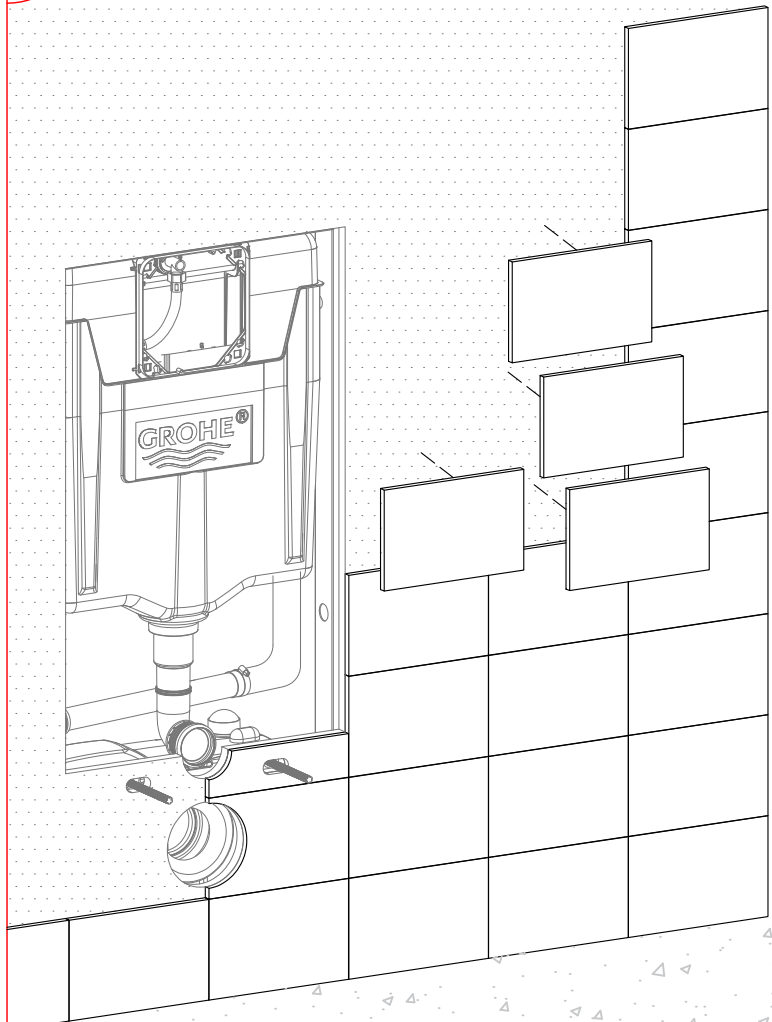
30



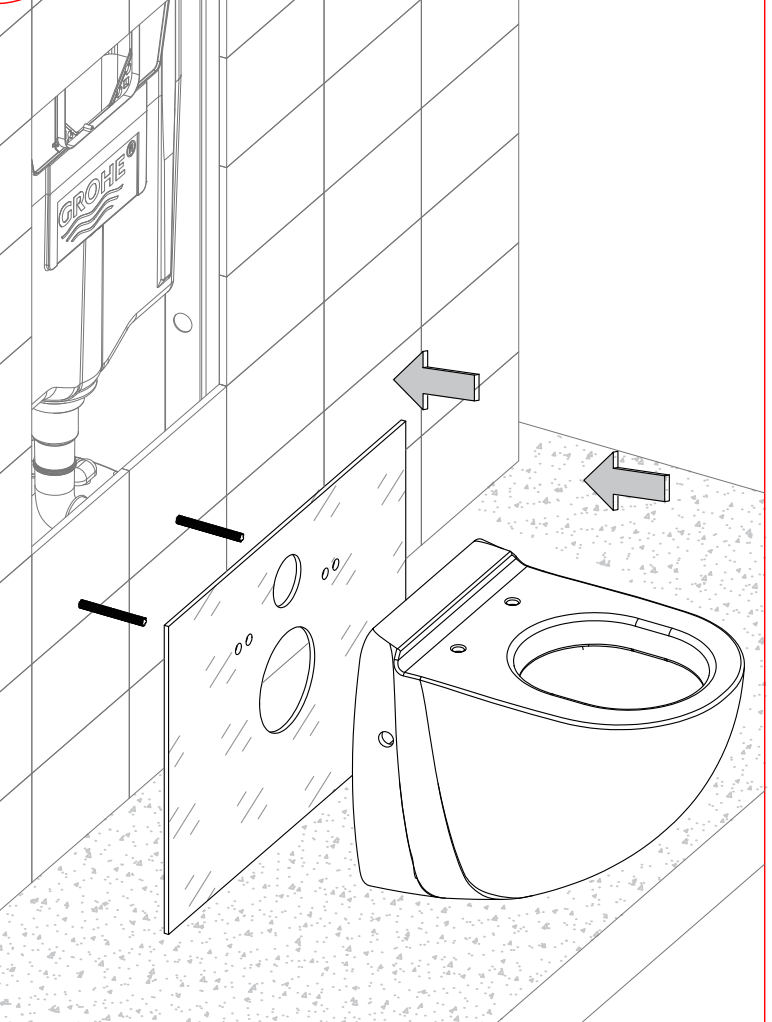
31



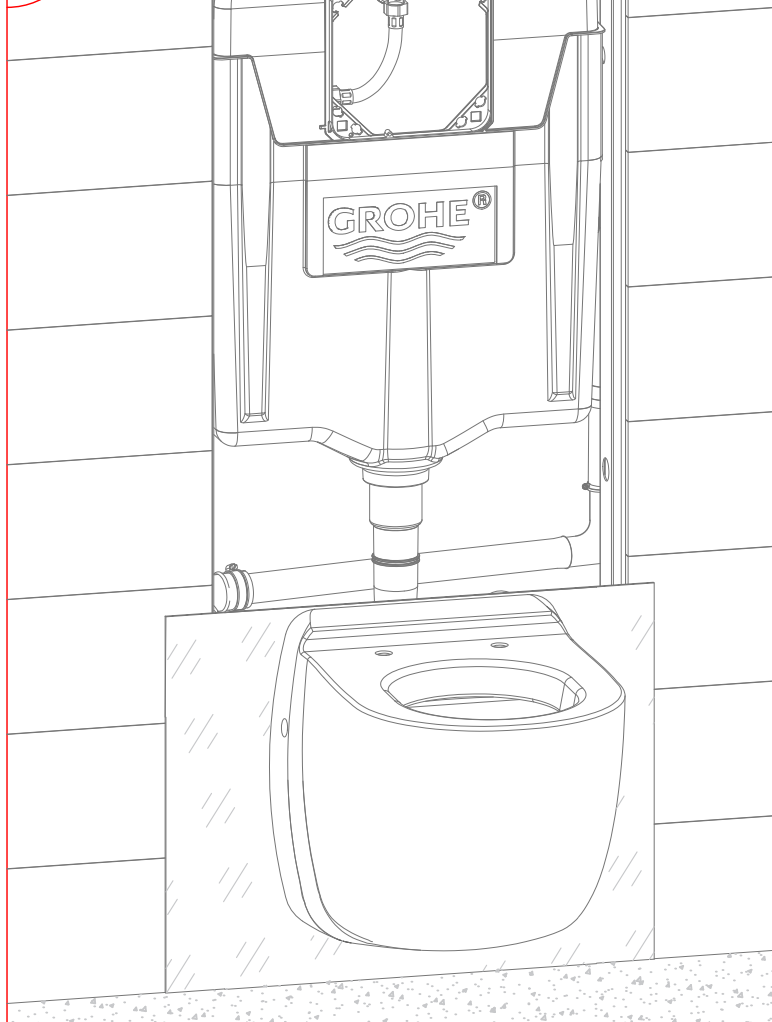
32



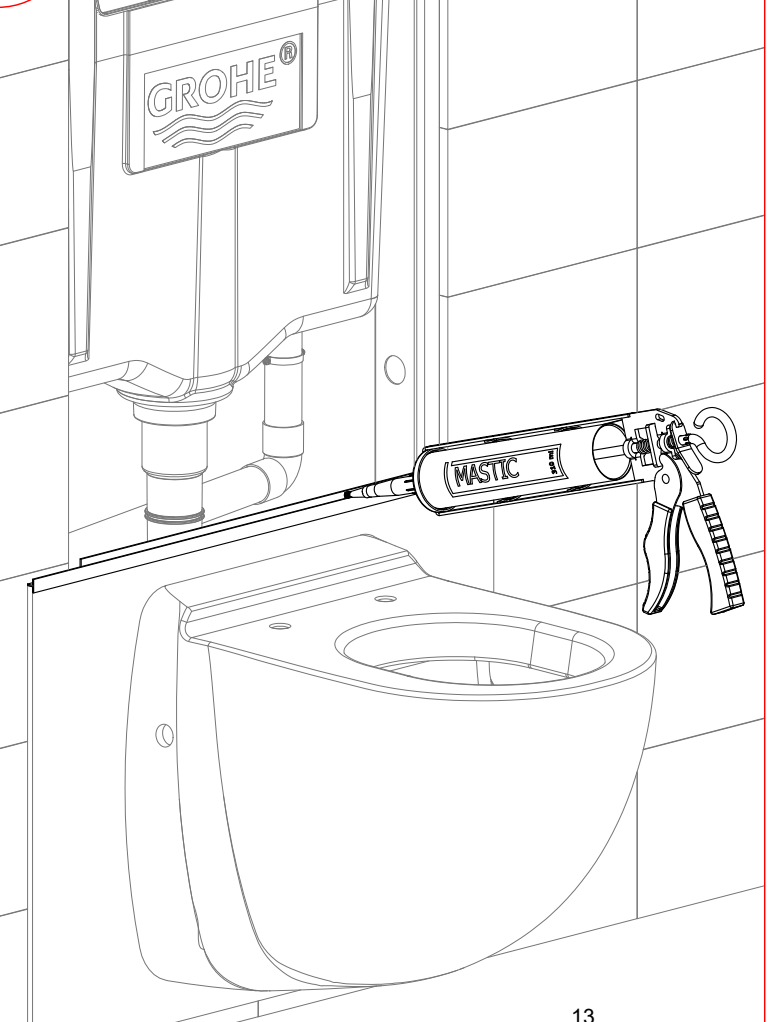
33



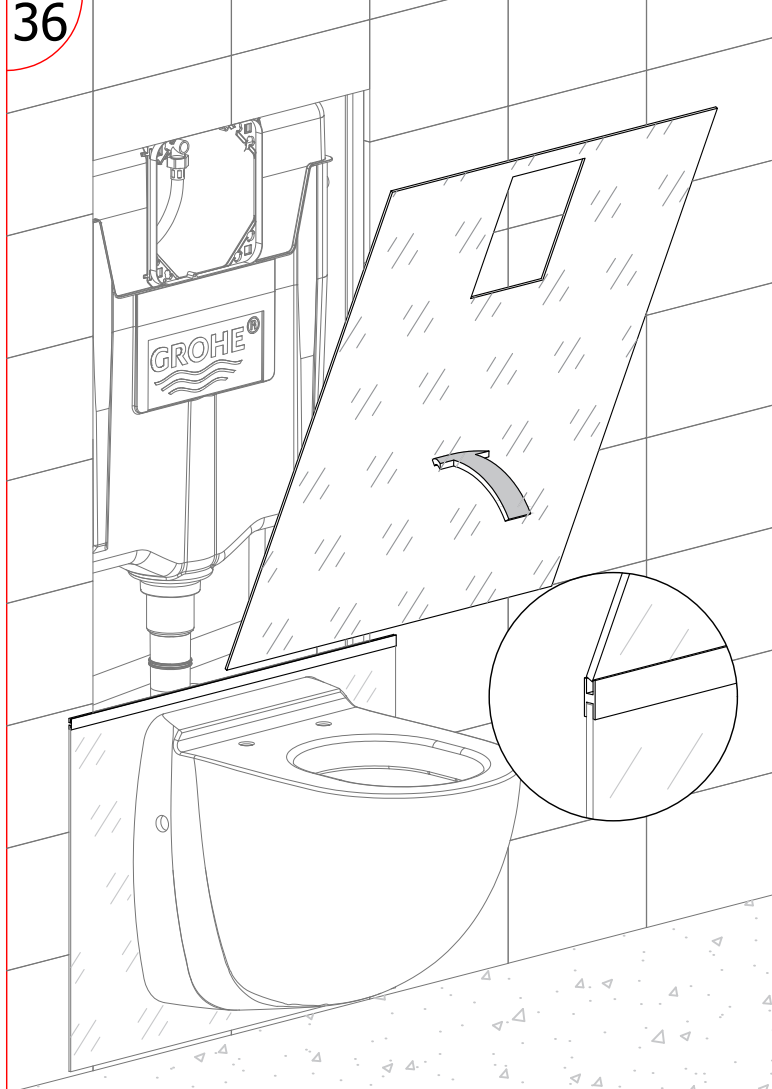
34



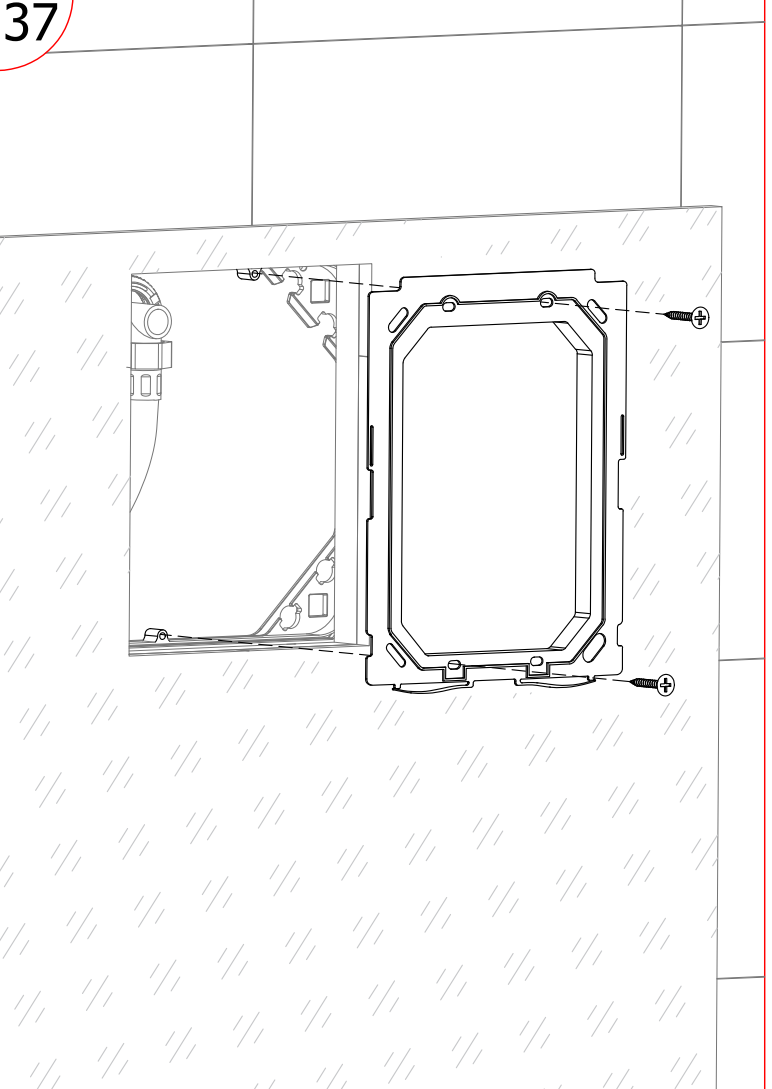
35



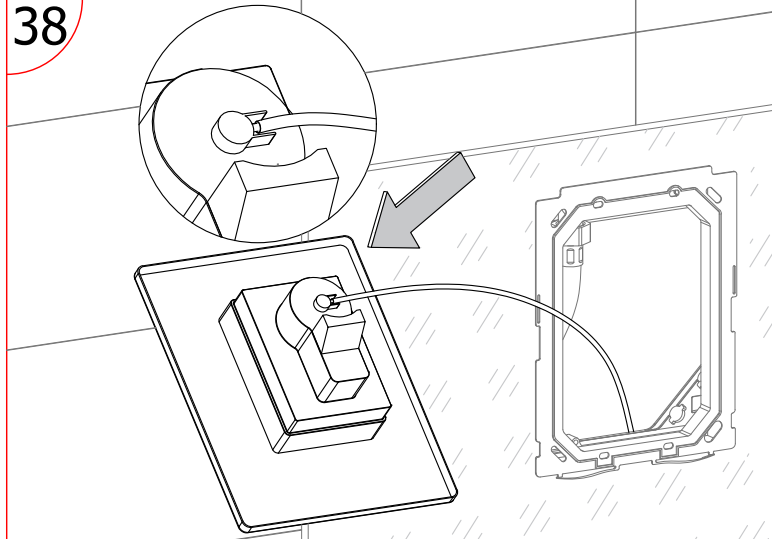
36



37



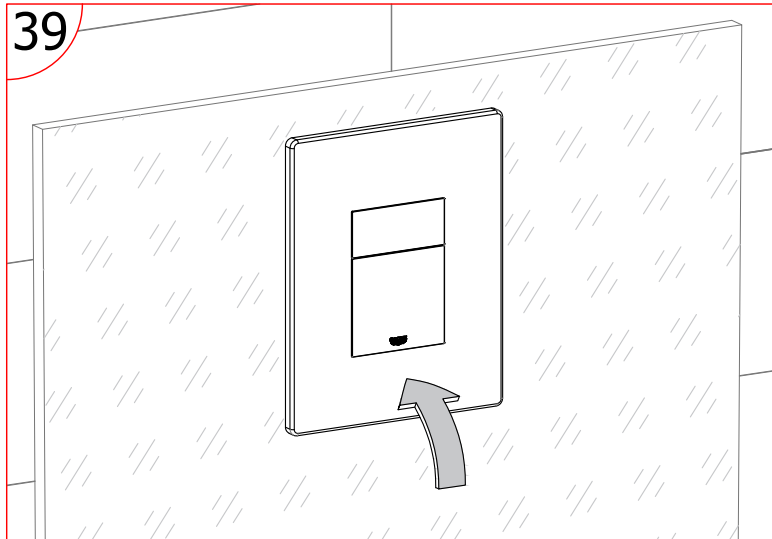
38



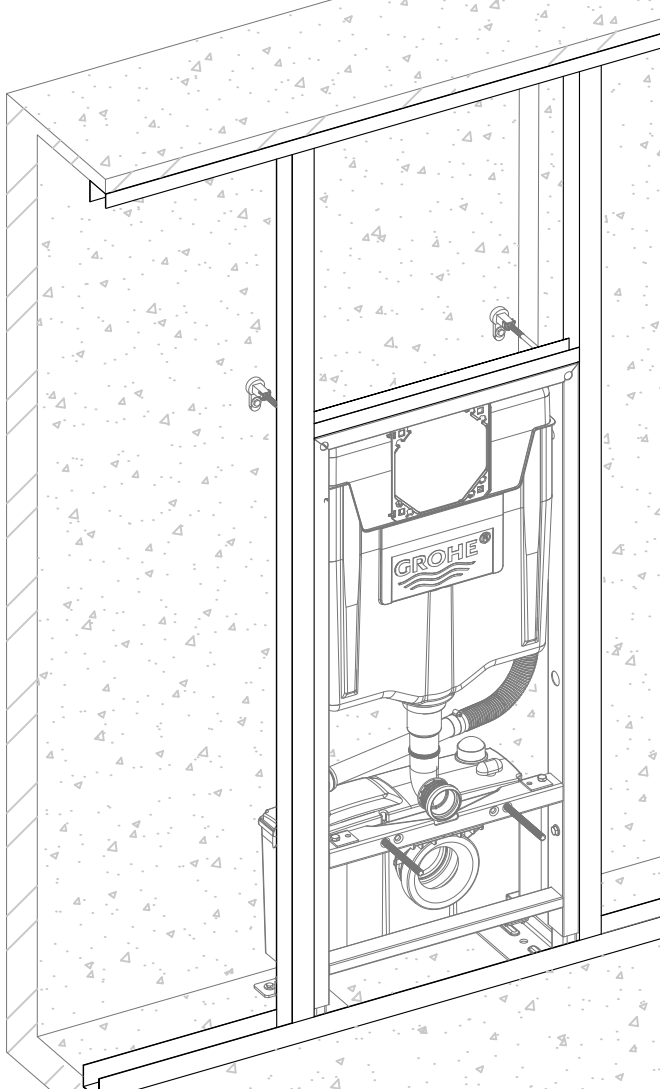
40



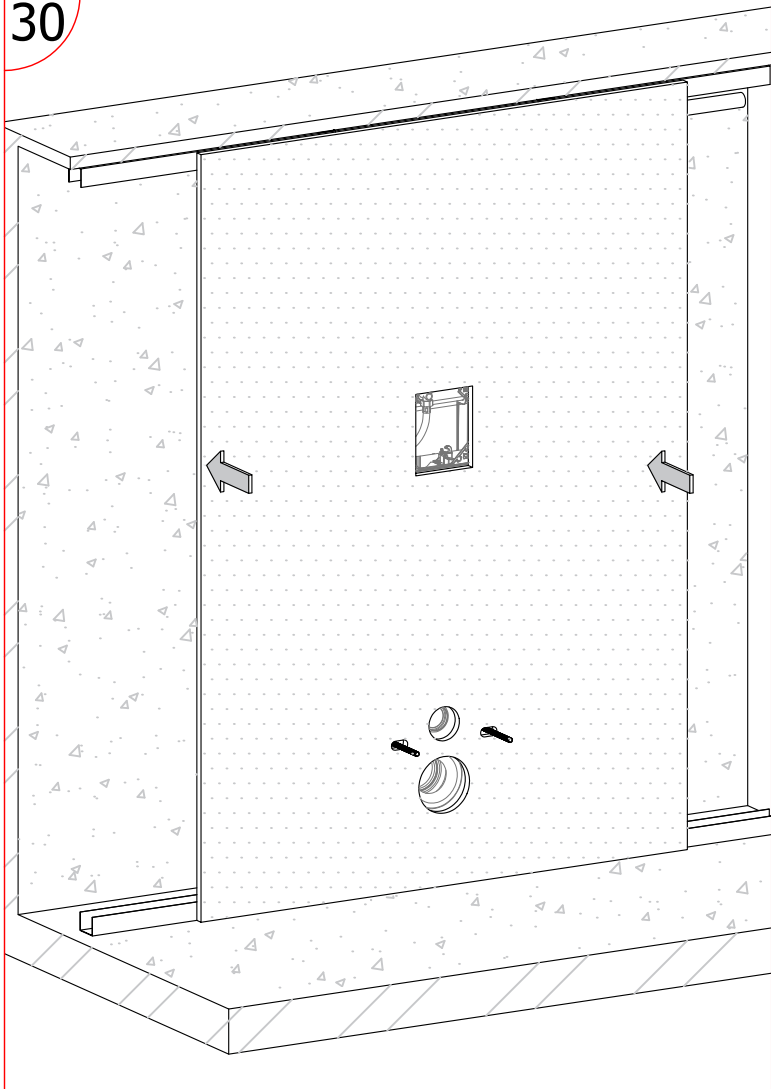
39



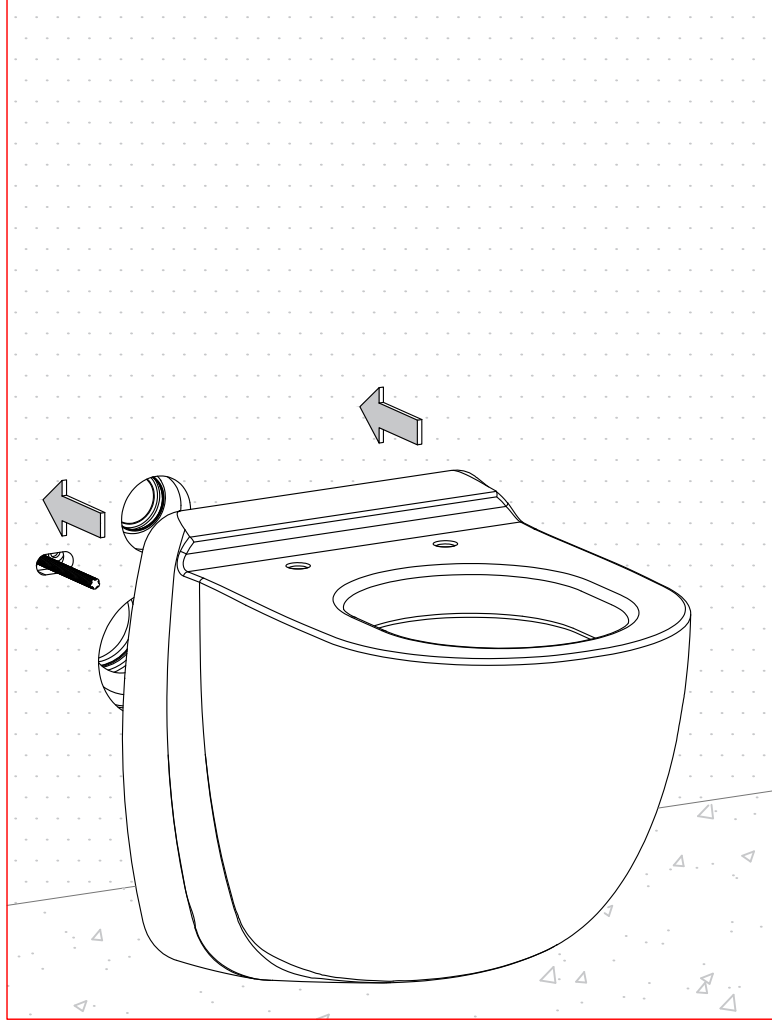
29



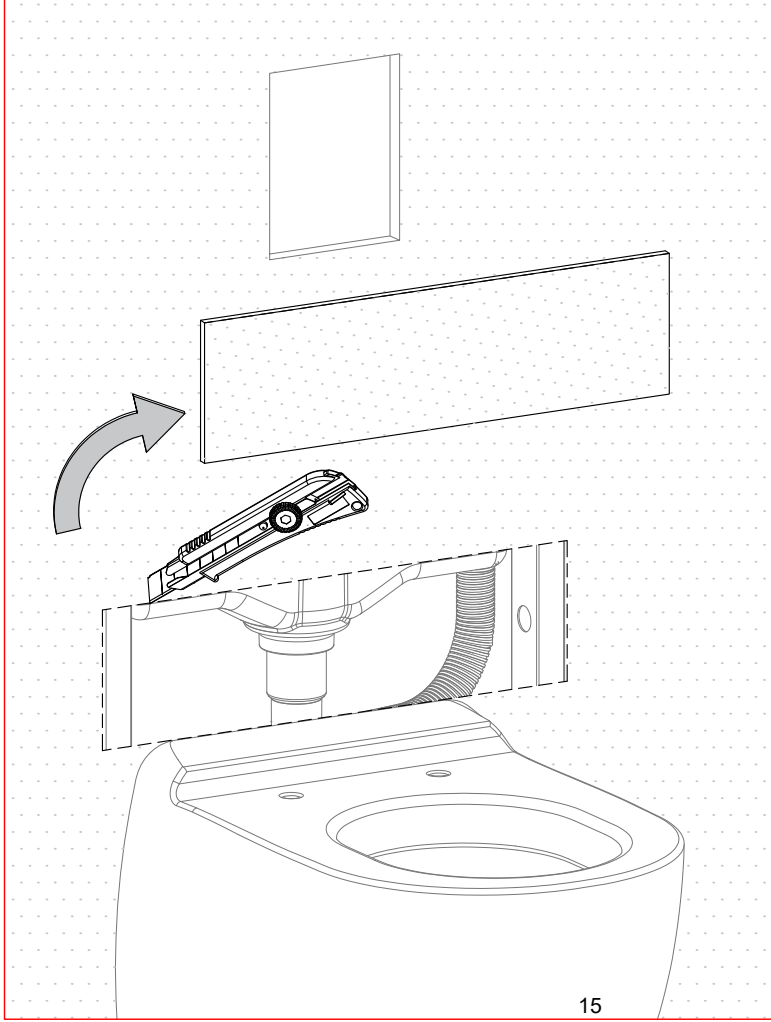
30



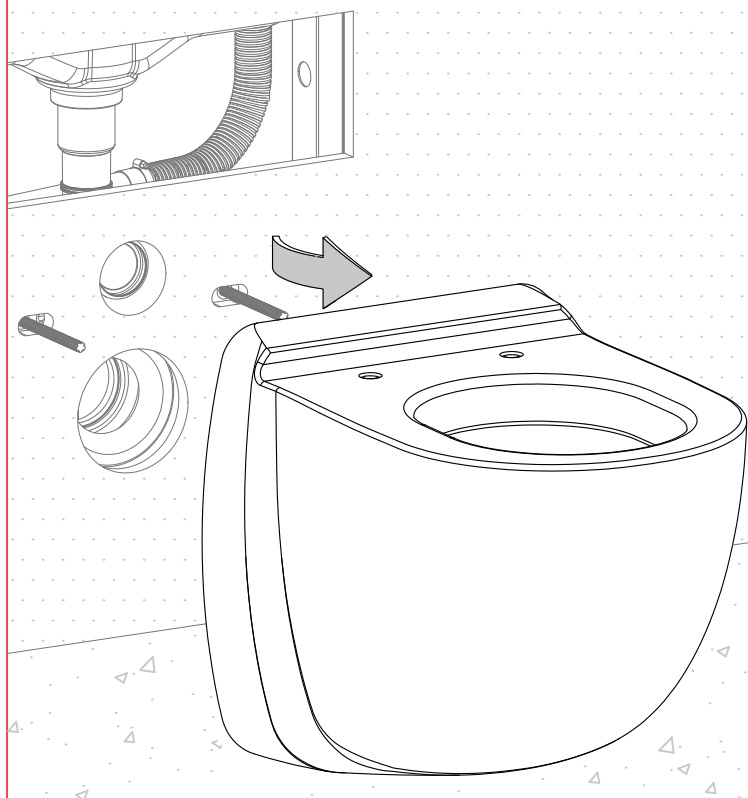
31



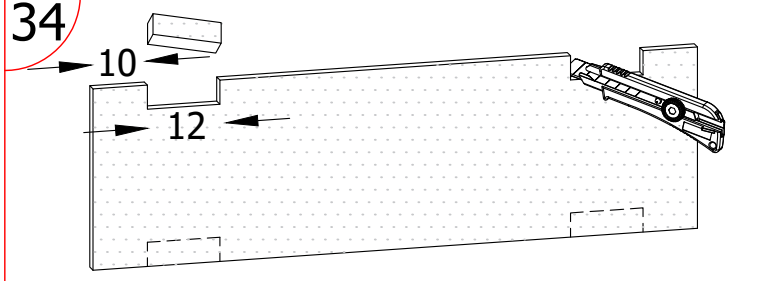
32



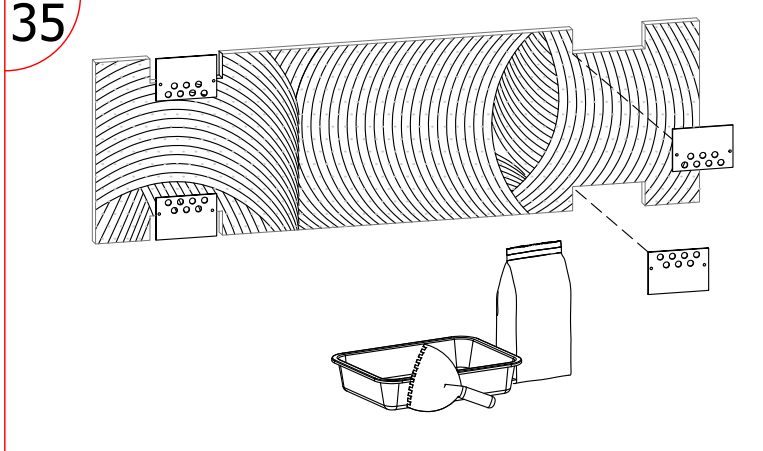
33



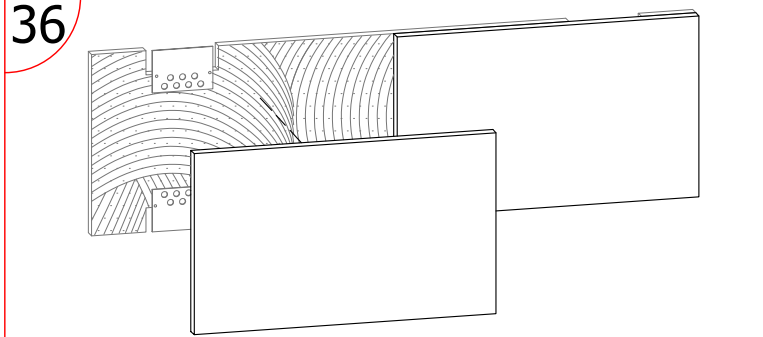
34



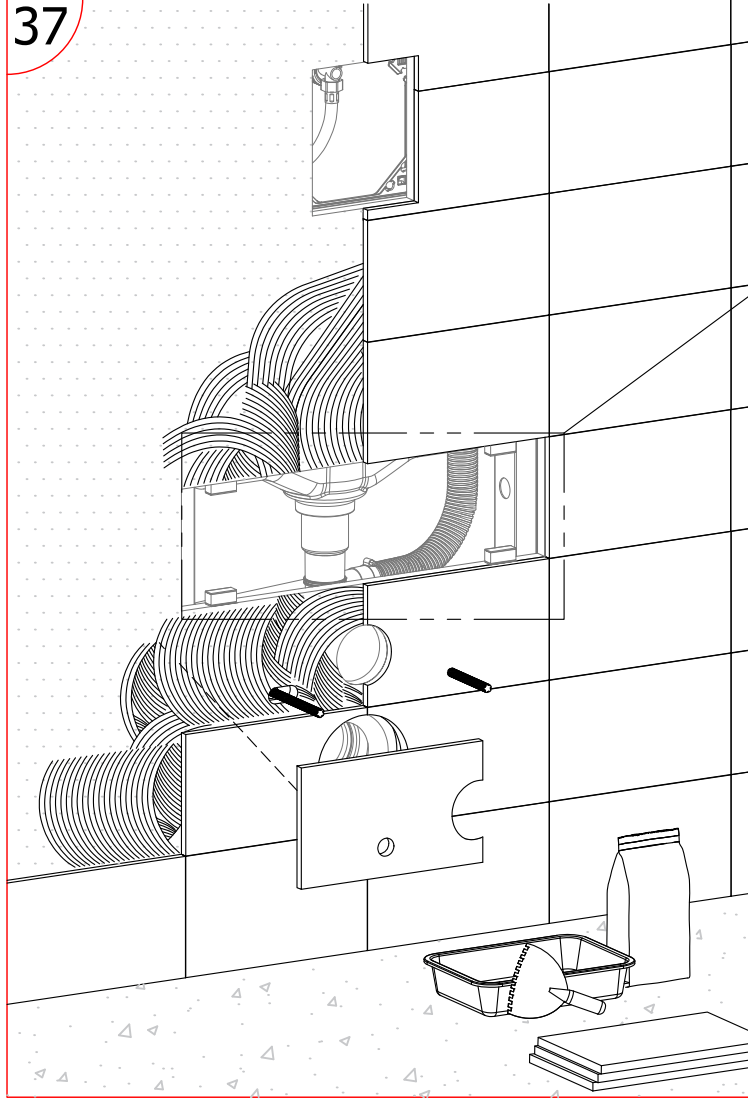
35



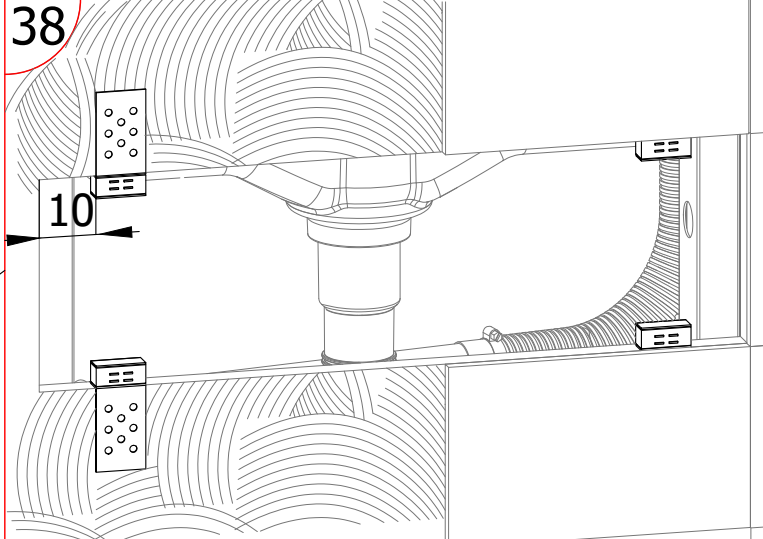
36



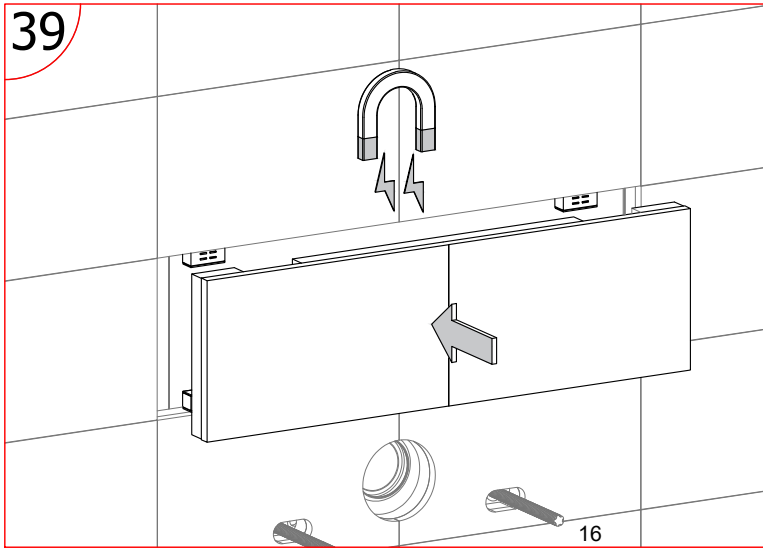
37



38



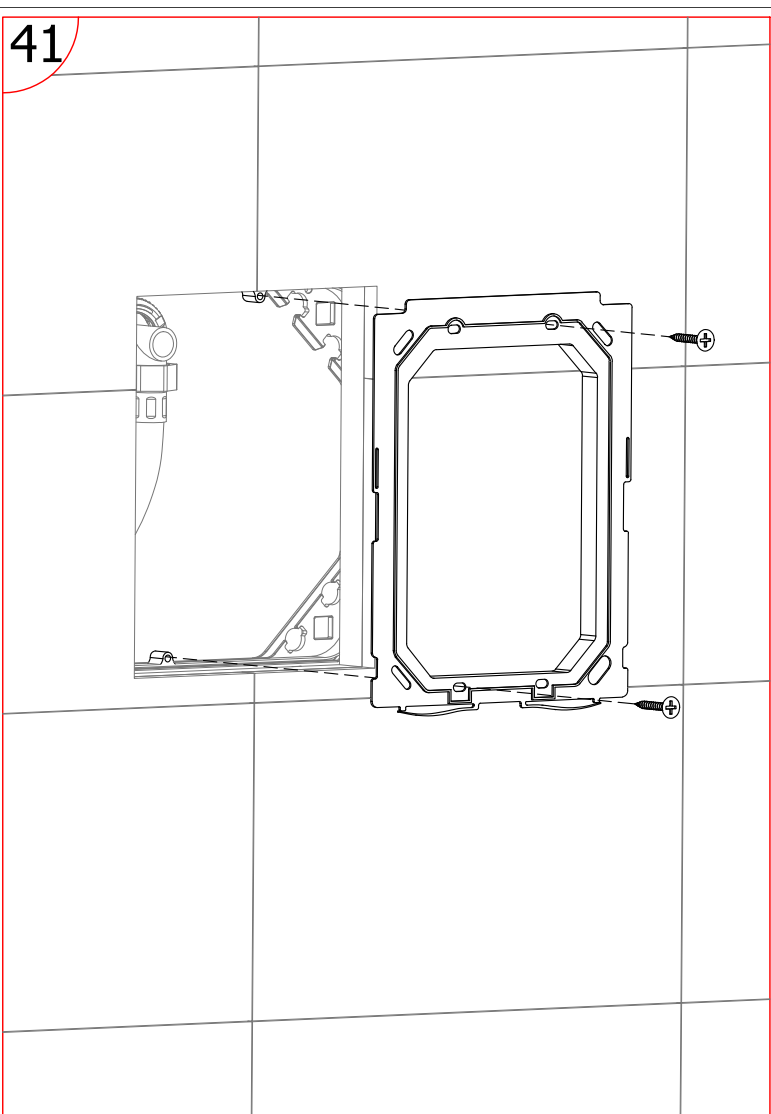
39



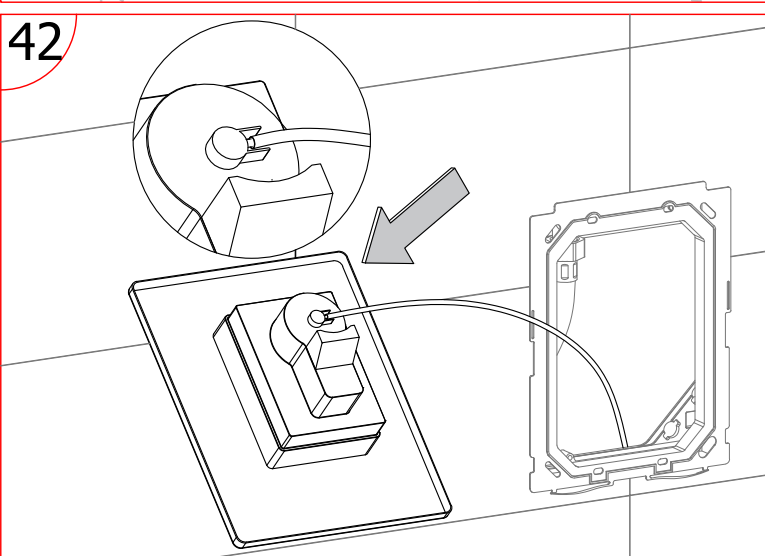
40



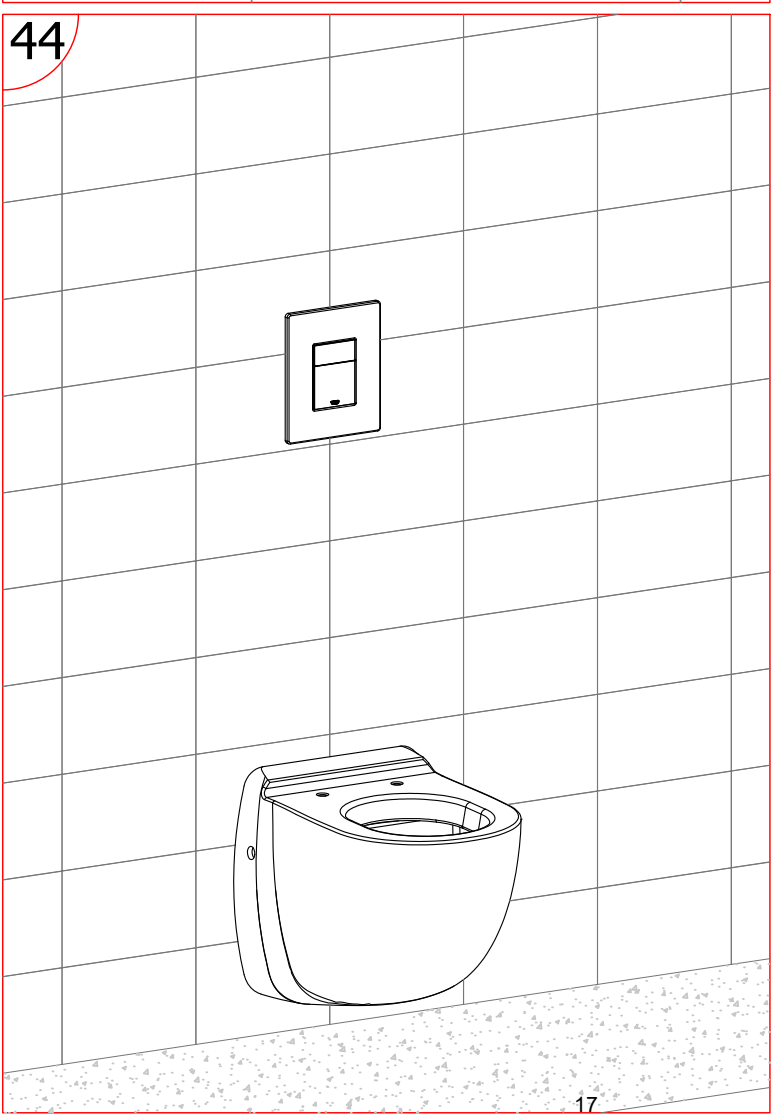
41



42



44



43

